



# **ATLAS**

## **COLUMN INSTALLATION MANUAL**

**COLUMN SIZES**

**14" 20" 30"**

**PLATFORM SIZES**

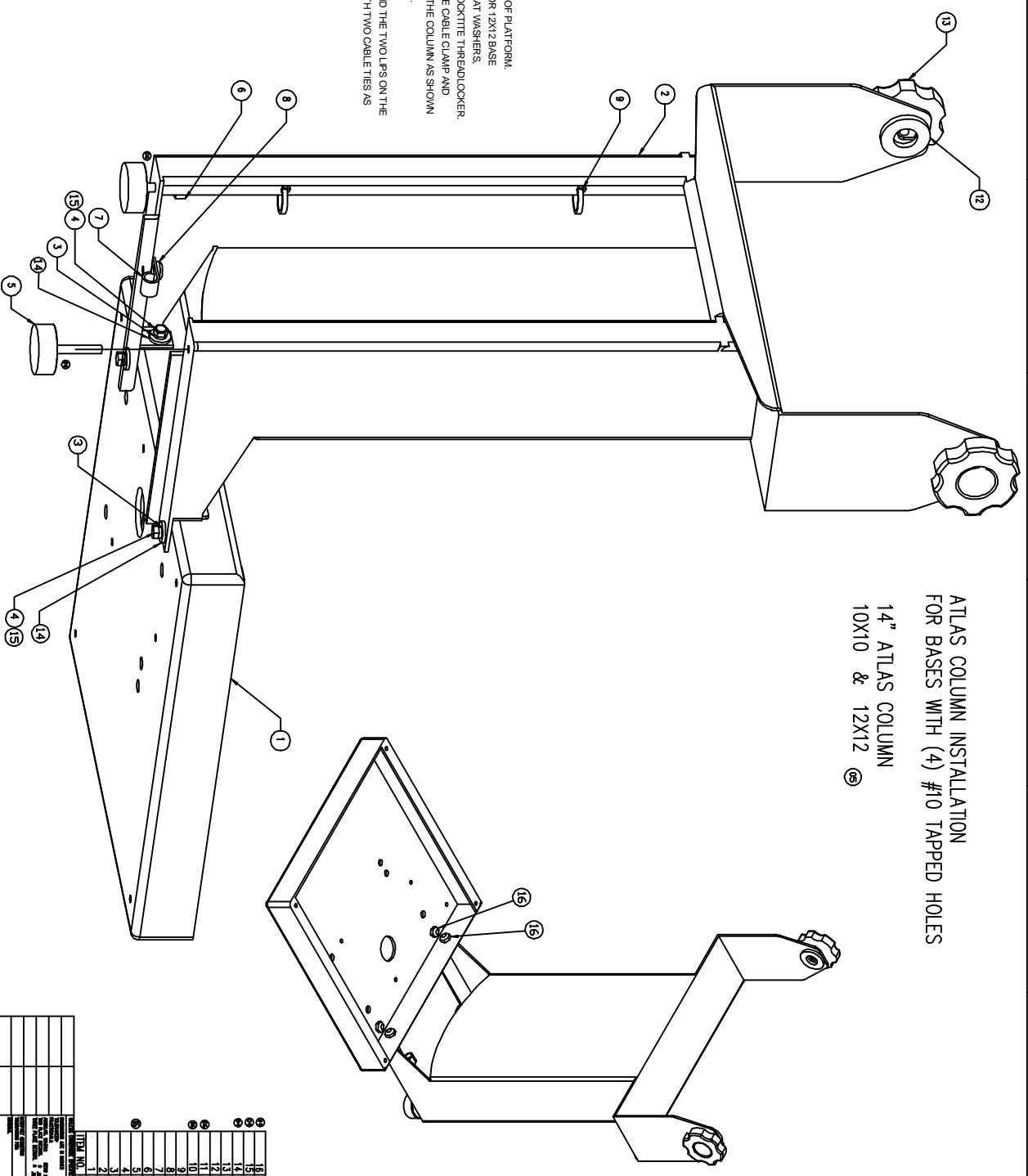
**10X10 12X12 15X15 18X18 18X24 24X24**

# TABLE OF CONTENTS

<b><u>Page</u></b>	<b><u>Contents</u></b>
1)	14" Column, platforms with tapped mounting holes 10x10 and 12x12.
2)	14" Column, platforms with tapped mounting holes 15x15 and 18x18 DXL.
3)	14" Column, platforms with non-tapped thru holes.
4)	Platform mounting hole positions.
5)	20" Column, 18x24 & 24X24 platforms.
6)	20" Column, 15x15 & 18x18 platforms.
7)	Cable Routing.

FOR THE ATLAS COLUMN, THE ATLAS COLUMN ATTACHMENT 14" IS USED TO ATTACH THE ATLAS COLUMN TO THE ATLAS COLUMN ATTACHMENT 14".

ATLAS COLUMN INSTALLATION  
FOR BASES WITH (4) #10 TAPPED HOLES  
14" ATLAS COLUMN  
10X10 & 12X12



- INSTRUCTIONS:
1. CUT LOAD CELL CABLE TO 54" FROM SIDE OF PLATFORM.
  2. ATTACH THE ATLAS COLUMN TO A 10X10 OR 12X12 BASE WITH (4) 10-24X0.5 HEX HEAD SCREWS, FLAT WASHERS, SPLIT LOCK WASHERS, 10-24 NUTS AND LOCKTITE THREADLOCKER.
  3. RUN THE LOAD CELL CABLE THROUGH THE CABLE CLAMP AND ATTACH THE CLAMP TO THE BOTTOM OF THE COLUMN AS SHOWN WITH A 10-24X 0.25 PHIL PAN HEAD SCREW.
  4. MOUNT THE METER IN THE UBRACKET.
  5. COIL THE EXCESS CABLE AND FIT IT BEHIND THE TWO UPS ON THE BACK OF THE COLUMN AND FASTEN IT WITH TWO CABLE TIES AS INDICATED.

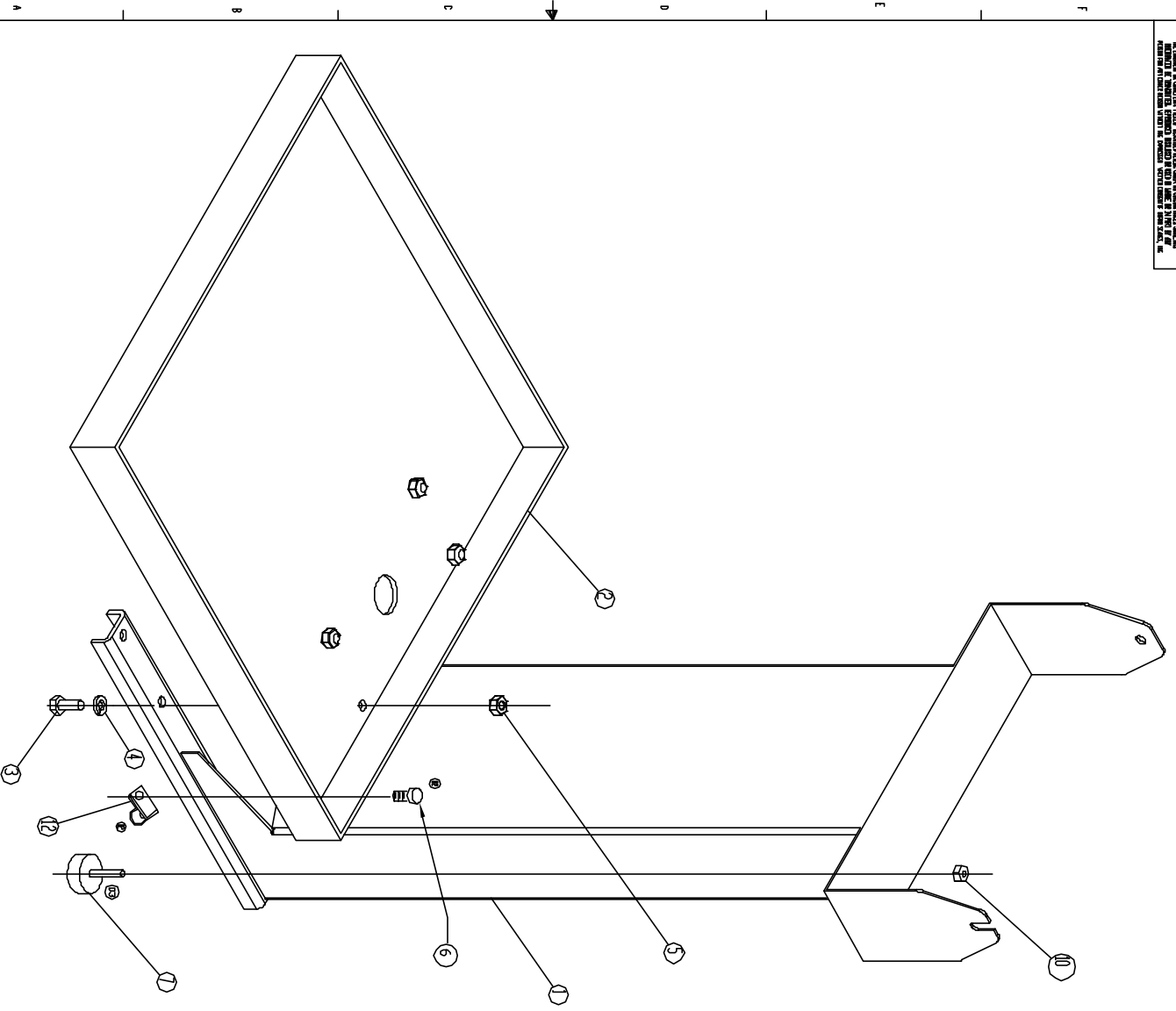
QTY	DESCRIPTION	UNIT
1	14" ATLAS COLUMN	
4	10-24 X 0.5 HEX HEAD SCREW	
4	FLAT WASHER	
4	SPLIT LOCK WASHER	
4	10-24 NUT	
1	CABLE CLAMP	
1	LOAD CELL CABLE	
1	UBRACKET	
2	CABLE TIE	

ITEM NO.	QTY.	PART NO.	DESCRIPTION
1	1	41ST0001	W/L 10-24 HEX
2	4	41SP0009	THEAD LOCKER
3	4	41S10007	WASHER 10 FLAT
4	4	41S10004	WASHER 10 24 LOCK LARGE
5	4	21S10078	WASHER 10X0.5 S.S.
6	4	41S10004	WASHER 10-24X5 HEX
7	1	41S10004	WASHER 10-24X5 HEX
8	1	41S10004	WASHER 10-24X5 HEX
9	1	41S10004	WASHER 10-24X5 HEX
10	1	41S10004	WASHER 10-24X5 HEX
11	1	41S10004	WASHER 10-24X5 HEX
12	1	41S10004	WASHER 10-24X5 HEX
13	1	41S10004	WASHER 10-24X5 HEX
14	1	41S10004	WASHER 10-24X5 HEX
15	4	41S10004	WASHER 10-24X5 HEX
16	1	41S10004	WASHER 10-24X5 HEX
17	1	41S10004	WASHER 10-24X5 HEX
18	1	41S10004	WASHER 10-24X5 HEX
19	1	41S10004	WASHER 10-24X5 HEX
20	1	41S10004	WASHER 10-24X5 HEX
21	1	41S10004	WASHER 10-24X5 HEX
22	1	41S10004	WASHER 10-24X5 HEX
23	1	41S10004	WASHER 10-24X5 HEX
24	1	41S10004	WASHER 10-24X5 HEX
25	1	41S10004	WASHER 10-24X5 HEX
26	1	41S10004	WASHER 10-24X5 HEX
27	1	41S10004	WASHER 10-24X5 HEX
28	1	41S10004	WASHER 10-24X5 HEX
29	1	41S10004	WASHER 10-24X5 HEX
30	1	41S10004	WASHER 10-24X5 HEX

DORAN SCALES INC.  
ATLAS COLUMN  
ATTACHMENT 14"  
DRAWING NUMBER: MAN0202501  
PART NUMBER: MAN0205  
REV: 07  
SCALE: 1:1

THIS DRAWING IS THE PROPERTY OF DORAN SCALES, INC. IT IS TO BE USED ONLY FOR THE PROJECT AND SITE SPECIFICALLY IDENTIFIED HEREON. IT IS NOT TO BE REPRODUCED, COPIED, OR TRANSMITTED IN ANY FORM OR BY ANY MEANS, ELECTRONIC OR MECHANICAL, INCLUDING PHOTOCOPYING, RECORDING, OR BY ANY INFORMATION STORAGE AND RETRIEVAL SYSTEM, WITHOUT THE WRITTEN PERMISSION OF DORAN SCALES, INC.



15 X 15 / 18 X 18 DXL

NOTES:  
 1. CUT THE LEAD CELL CABLE TO A LENGTH OF 33 INCHES FROM THE SIDE OF THE BASE TO THE END OF THE CABLE.

ITEM NO.	QTY.	PART NO.
1	1	END653 COLUMN MOUNT-20 INCH
2	RET	END635 BASE 15X15
3	4	EST0035 SCREW 1/4-20X5/8
4	4	EST0005 WASHER 1/4 SPLIT LOCK
5	4	EST0018 NUT 1/4-20 HEX
6	1	EST0119 SCREW, 10-24 X 1/4 PH PAN
7	2	HDW1252 FLOI, RUBBER 1/8
8		
9	2	EST0267 NUT, 1/8 X 1.0, NYLON INSERT, HEX SS
10	2	HDW1013 CABLE TIE, NYLON
11	1	HDW1077 CABLE CLAMP
12	1	

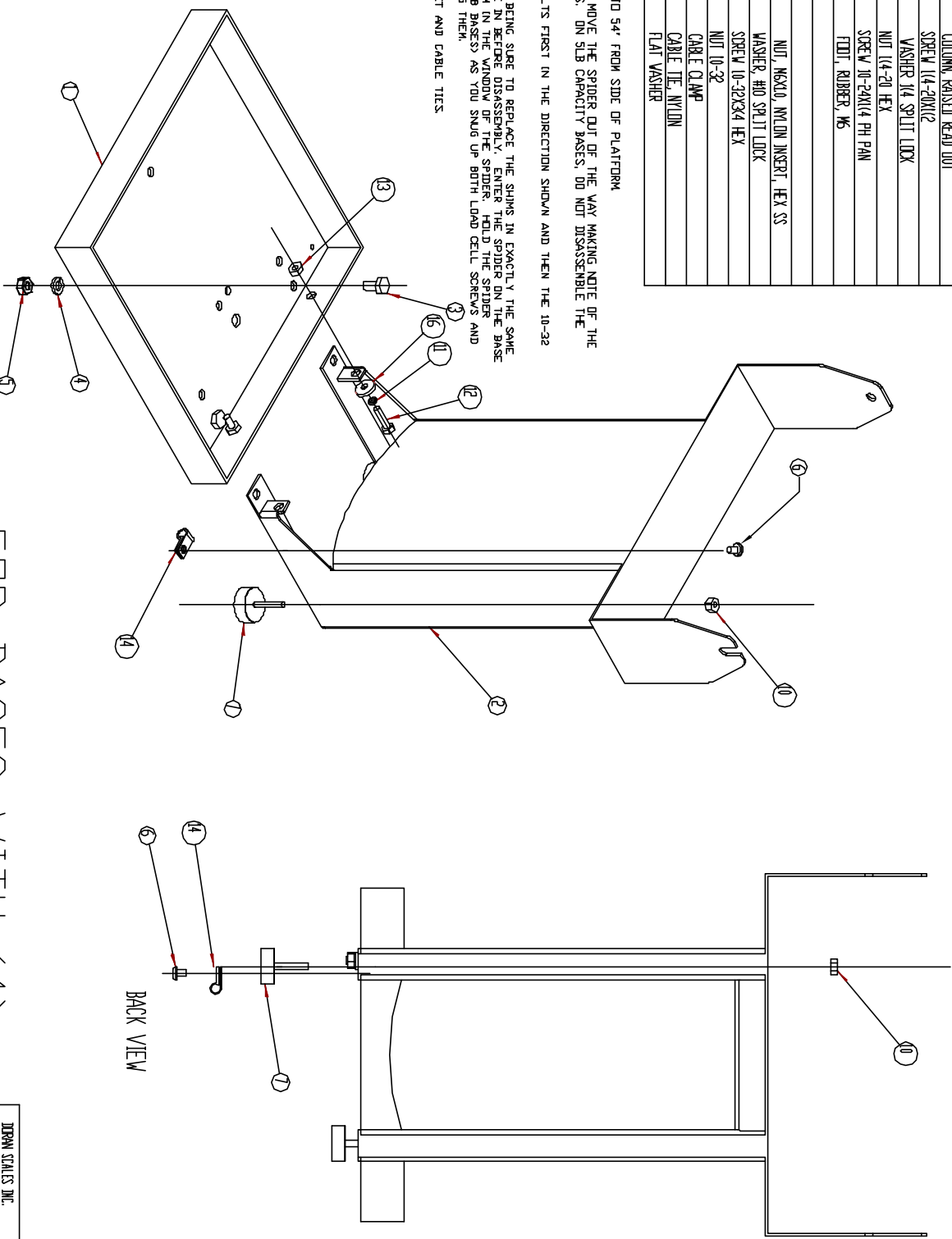
DORAN SCALES, INC.		DORAN SCALES, INC.	
1500 W. 10TH AVENUE		1500 W. 10TH AVENUE	
DENVER, CO 80202		DENVER, CO 80202	
TEL: 303.733.1111		TEL: 303.733.1111	
FAX: 303.733.1112		FAX: 303.733.1112	
WWW.DORANSCALES.COM		WWW.DORANSCALES.COM	
KIT: 20 INCH ATLAS COLUMN MOUNT		KIT: 20 INCH ATLAS COLUMN MOUNT	
REV: 1		REV: 1	
DATE: 10/15/10		DATE: 10/15/10	
DRAWN BY: J. HARRIS		DRAWN BY: J. HARRIS	
CHECKED BY: J. HARRIS		CHECKED BY: J. HARRIS	
APPROVED BY: J. HARRIS		APPROVED BY: J. HARRIS	

THIS DRAWING IS THE PROPERTY OF JERRON SCALES, INC. IT IS TO BE USED ONLY FOR THE PROJECT AND SITE SPECIFICALLY IDENTIFIED HEREON. IT IS NOT TO BE REPRODUCED, COPIED, OR TRANSMITTED IN ANY FORM OR BY ANY MEANS, ELECTRONIC OR MECHANICAL, INCLUDING PHOTOCOPYING, RECORDING, OR BY ANY INFORMATION STORAGE AND RETRIEVAL SYSTEM. WITHOUT THE WRITTEN PERMISSION OF JERRON SCALES, INC.

ITEM NO.	QTY.	PART NO.	DESCRIPTION
1	1	END050	ENDCAP, BR END0635 BASE
2	1	END062	COLUMN RAISED BEAD OUT
3	2	EST060	SCREW 1/4-20X1/2
4	2	EST005	VASHER 1/4 SPLIT LOCK
5	2	EST008	NUT 1/4-20 HEX
6	1	EST019	SCREW 10-24X1/4 PH PAN
7	2	HMW252	FOOT, RUBBER, M6
8			
9			
10	2	EST067	NUT, M6X10, NYLON INSERT, HEX SS
11	2	EST004	WASHER, HD, SPLIT LOCK
12	2	EST030	SCREW 10-32X3/4 HEX
13	2	EST007	NUT 10-32
14	1	HMW077	CABLE CLAMP
15	1	HMW013	CABLE TIE, NYLON
16	2	EST007	FLAT WASHER

NOTES:

- CUT LOAD CELL CABLE TO 54" FROM SIDE OF PLATFORM
- CAREFULLY LOOSEN AND MOVE THE SPIDER OUT OF THE WAY MAKING NOTE OF THE POSITIONS OF THE SHIMS ON SLAB CAPACITY BASES. DO NOT DISASSEMBLE THE UP-OVERLOAD STOP.
- INSTALL THE 1/4-20 BOLTS FIRST IN THE DIRECTION SHOWN AND THEN THE 10-32 BOLTS.
- REINSTALL THE SPIDER BEING SURE TO REPLACE THE SHIMS IN EXACTLY THE SAME POSITION AS THEY WERE IN. ENTER THE SPIDER DISASSEMBLY INSTRUCTIONS ON THE BASE AND THE OVERLOAD SHIM IN THE WINDOW OF THE SPIDER. HOLD THE SPIDER (ESPECIALLY ON THE SLAB BASES) AS YOU SNUG UP BOTH LOAD CELL SCREWS AND THEN FINISH TIGHTENING THEM.
- INSTALL THE RUBBER FEET AND CABLE TIES

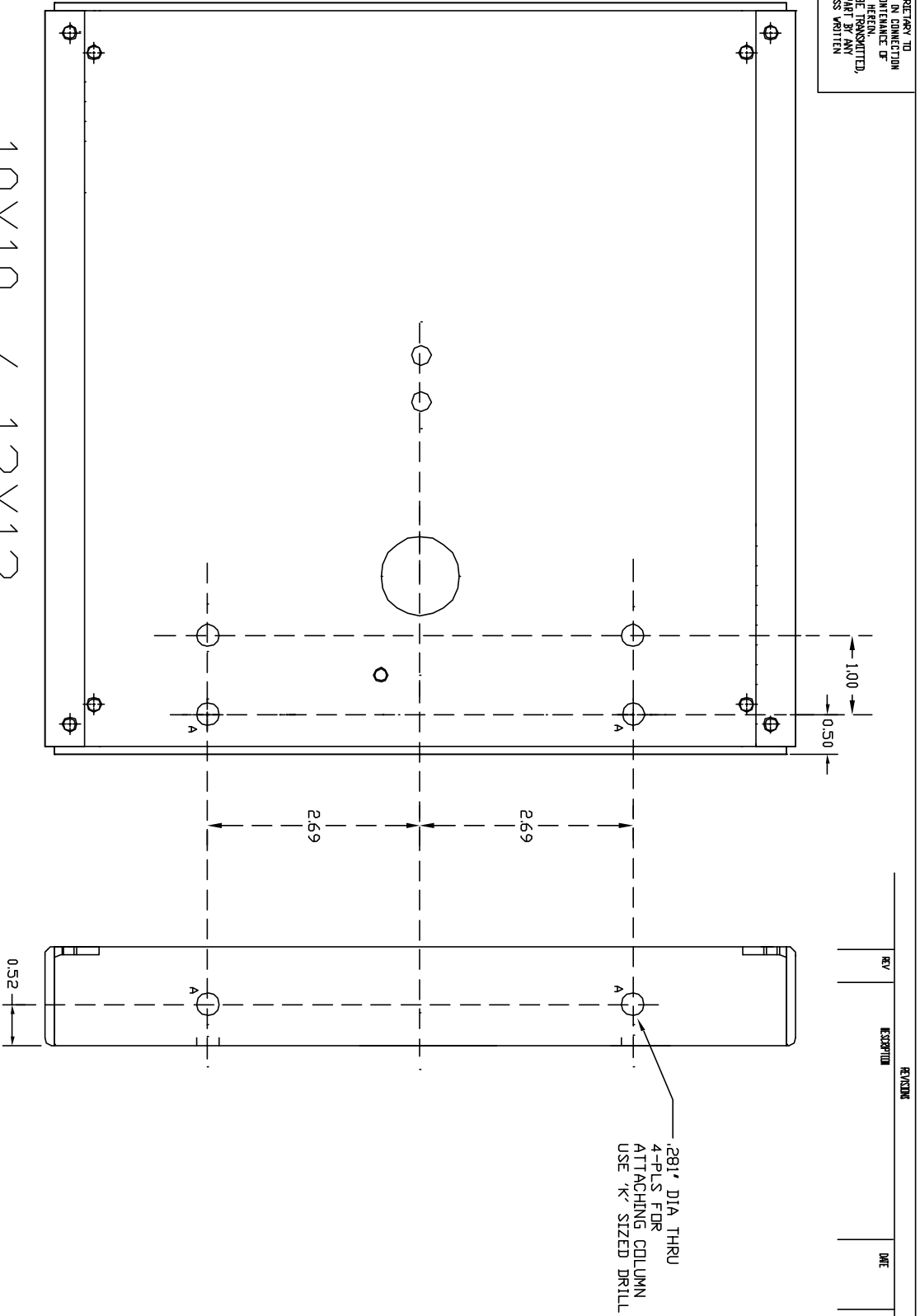


10x10 12x12 15x15

FOR BASES WITH (4) 281" DIA THRU HOLES

JERRON SCALES, INC.
KIT, 14 INCH ALUM COLUMN PLATE (PARTS WITH THRU HOLES)
REV. 07

INFORMATION CONTAINED HEREIN IS CONSIDERED PROPRIETARY TO DORAN SCALES, INC. IT IS RELEASED ONLY FOR USE IN CONNECTION WITH THE FABRICATION, ASSEMBLY, OPERATION OR MAINTENANCE OF THE EQUIPMENT OR COMPONENTS THEREOF DESCRIBED HEREIN. UNDER NO CIRCUMSTANCES SHALL THIS INFORMATION BE TRANSMITTED, REPRODUCED, COPIED, REPRODUCED, OR OTHERWISE DISCLOSED TO ANY OTHER PERSON WITHOUT THE EXPRESS WRITTEN CONSENT OF DORAN SCALES, INC.



10X10 / 12X12

- NOTES:
1. PLATFORMS SUPPLIED WITH ATLAS COLUMNS NEED NOT BE MODIFIED.
  2. REMOVE LOAD CELL PRIOR TO DRILLING HOLES IN PLATFORM. WARRANTY VOID IF LOAD CELL NOT REMOVED.

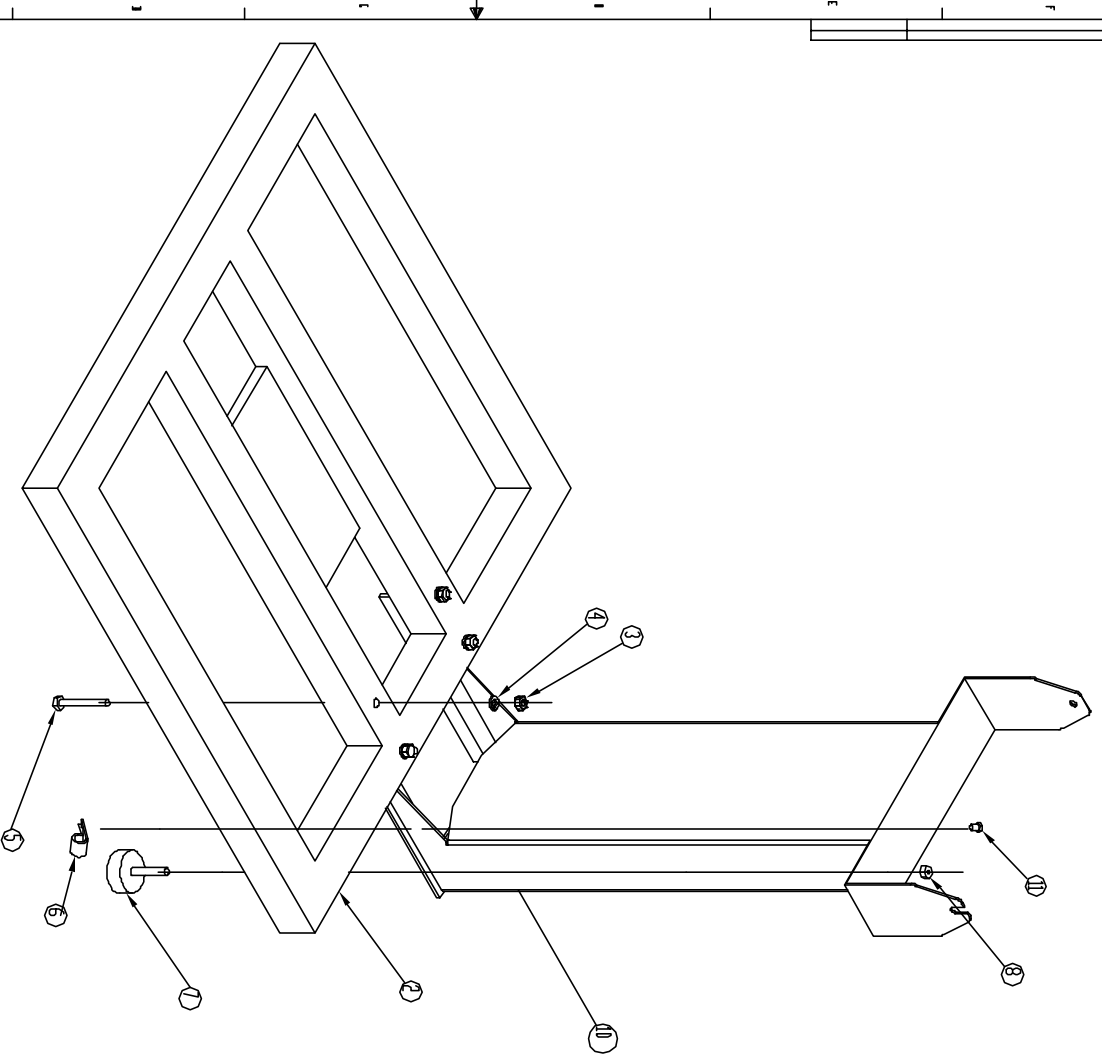
**DORAN** DORAN SCALES, INC.

SCALE: \_\_\_\_\_ APPROVED BY: \_\_\_\_\_  
 DATE: \_\_\_\_\_ DRAWN BY: \_\_\_\_\_  
 CHECKED BY: \_\_\_\_\_

**MOUNTING HOLES FOR 14" ATLAS COLUMN**

DATE: 03/07 DRS: M. T. EV  
 DORAN SCALES, INC. 03 MANDRETS 07

THE COMPANY, MAKING, SELLING, LEASING, RENTING, MAINTAINING, REPAIRING, AND SERVICING OF SCALES, PLATFORMS, AND SCALES, AND THE COMPANY'S SERVICE REPRESENTATIVES, SHALL BE RESPONSIBLE FOR THE PROPER INSTALLATION AND MAINTENANCE OF THE SCALES AND PLATFORMS. THE COMPANY SHALL BE RESPONSIBLE FOR THE PROPER INSTALLATION AND MAINTENANCE OF THE SCALES AND PLATFORMS. THE COMPANY SHALL BE RESPONSIBLE FOR THE PROPER INSTALLATION AND MAINTENANCE OF THE SCALES AND PLATFORMS.



18X24 & 24X24

NOTES

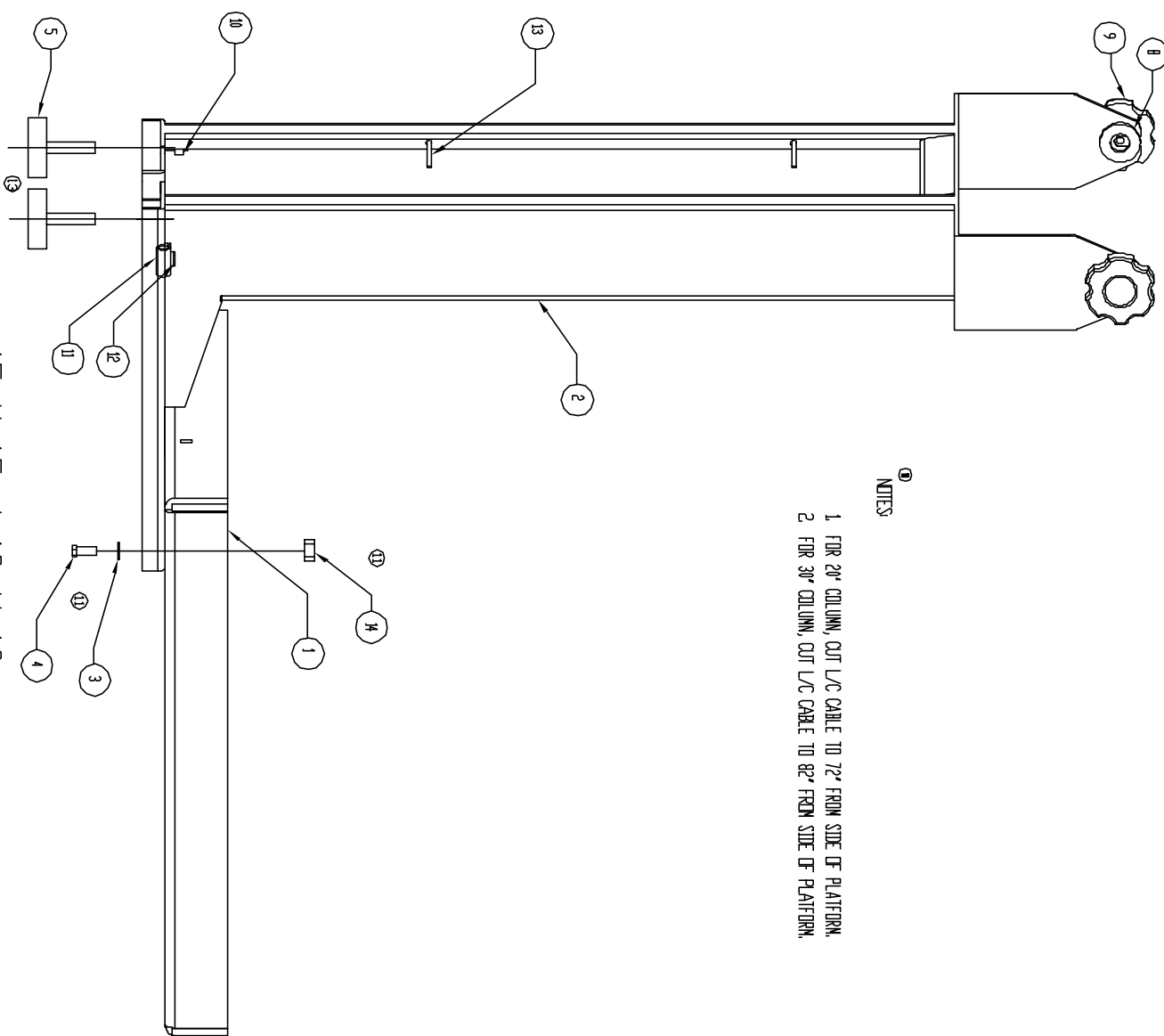
1. FOR 20" COLUMN, CUT 1/2" CABLE TO 72" FROM SIDE OF PLATFORM.
2. FOR 30" COLUMN, CUT 1/2" CABLE TO 82" FROM SIDE OF PLATFORM.
4. BILL OF MATERIAL LISTS EXTRA BOLTS FOR FIELD INSTALLATION PURPOSES. TWO DIFFERENT BOLTS ARE SUPPLIED FOR ATTACHING THE BASE PLATE TO THE SCALE BASE. WHICH BOLTS ARE USED DEPENDS ON THE SIZE OF THE BASE. REFER TO TABLE A FOR THE PROPER BOLTS TO USE.
5. WHEN SHIPPING AS A FIELD INSTALLATION KIT, PLACE NUTS AND BOLTS IN A SMALL BAG AND TAPE TO THE TOP OF THE COLUMN.

TABLE A  
18X24 & 24X24 BASES

ITEM NO.	QTY.	PART NO.
2	REF	END0247
3	4	FST008
4	4	FST005
5	4	FST020
6	1	HDW0177
7	2	HDW0252
8	2	FST0267
9	2	HDW0013
10	1	END0653
11	1	FST0019

<b>SCALE</b> MODEL NO. 1000 SERIAL NO. 1000 DATE 10/1/00		<b>PLATFORM</b> MODEL NO. 1000 SERIAL NO. 1000 DATE 10/1/00	
<b>SCALE</b> MODEL NO. 1000 SERIAL NO. 1000 DATE 10/1/00		<b>PLATFORM</b> MODEL NO. 1000 SERIAL NO. 1000 DATE 10/1/00	
<b>SCALE</b> MODEL NO. 1000 SERIAL NO. 1000 DATE 10/1/00		<b>PLATFORM</b> MODEL NO. 1000 SERIAL NO. 1000 DATE 10/1/00	
<b>SCALE</b> MODEL NO. 1000 SERIAL NO. 1000 DATE 10/1/00		<b>PLATFORM</b> MODEL NO. 1000 SERIAL NO. 1000 DATE 10/1/00	

THIS DRAWING IS THE PROPERTY OF DEERAN SCALES, INC. IT IS TO BE USED ONLY FOR THE PURPOSES SPECIFIED HEREIN. IT IS NOT TO BE REPRODUCED, COPIED, OR TRANSMITTED IN ANY FORM OR BY ANY MEANS, ELECTRONIC OR MECHANICAL, INCLUDING PHOTOCOPYING, RECORDING, OR BY ANY INFORMATION STORAGE AND RETRIEVAL SYSTEM, WITHOUT THE WRITTEN PERMISSION OF DEERAN SCALES, INC.



NOTES

- 1 FOR 20" COLUMN, CUT L/C CABLE TO 72" FROM SIDE OF PLATFORM.
- 2 FOR 30" COLUMN, CUT L/C CABLE TO 82" FROM SIDE OF PLATFORM.

15 X 15 / 18 X 18

ITEM NO.	QTY.	PART NO.	DESCRIPTION
15	0	SPRO02	THREADLOCK
14	4	EST008	NUT, 1/4-20 HEX
13	2	HWD003	WASHER, 1/4 IN
12	1	EST009	SPRNG, DC-20X1/4 PH PAN
11	1	HWD007	WASHER, 1/4-20
10	2	EST067	NUT, 1/8 X 1.0, ANTON INSERT, HEX, SS
9	2	HWD004	NUT, 1/4-20, BLACK, LARGE
8	2	EST008	WASHER, 1/4-20, SS
7			
6	2	HWD032	FLAT, RUBBER, NG
5	3	EST005	COIL, 1/4-20X5/8 HEX
4	4	EST005	WASHER, 1/4, SPLIT LOCK
3	1	ENC053	COLUMN MOUNT 22 INCH
2	1	ENC055	BASE, 15 X 15 OR ENCODER FOR (8X30)
1			

DEERAN SCALES, INC.	
DATE	9/27/01
BY	REV
CHKD	
APP'D	
DATE	
SCALE: 3/1	DATE: 9/27/01
SIZE: PART NUMBER	MAN020506
REV	07
SHEET 2 OF 2	





(7)