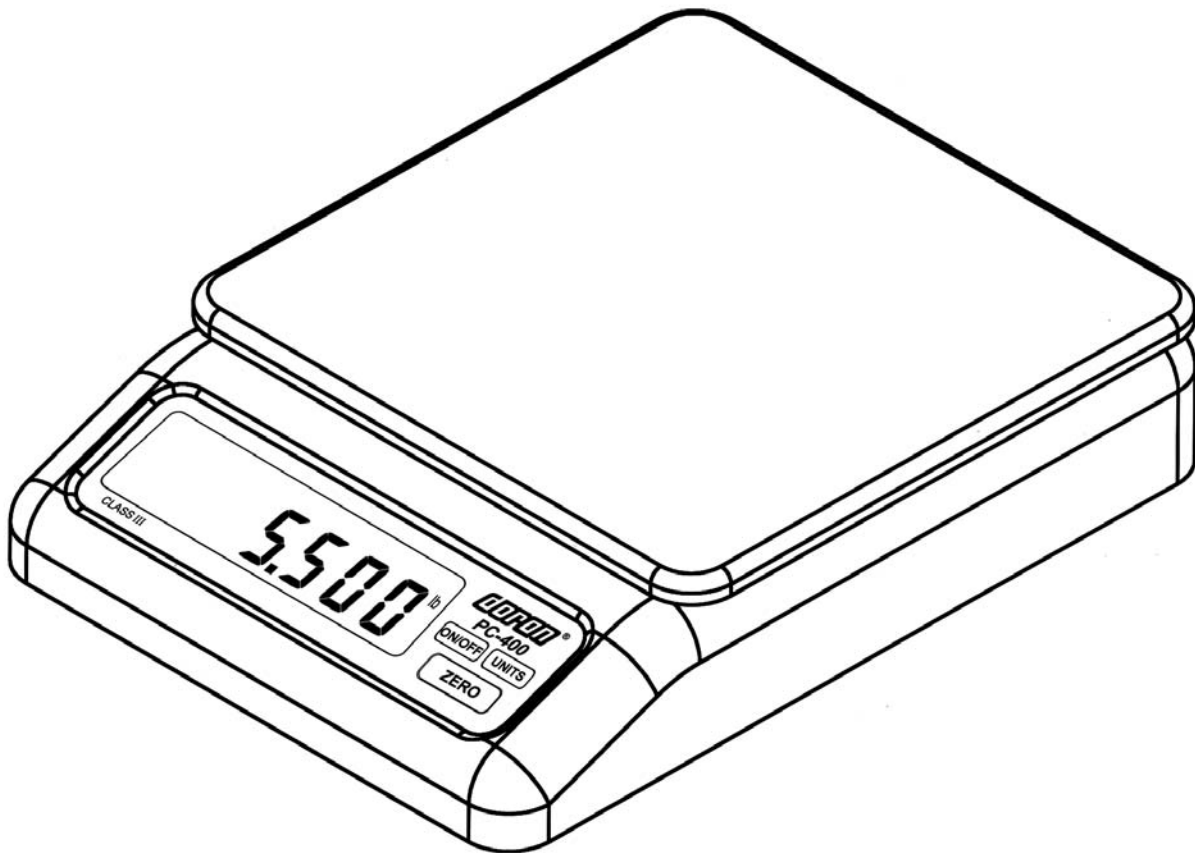


# Model PC-400 Portion Control Scale



## Technical Manual

**Doran Scales, Inc.**

1315 Paramount Pkwy

Batavia, IL 60510

1-800-262-6844

[www.doranscales.com](http://www.doranscales.com)

MAN0231 Manual Revision 3.1

## Table of Contents

<b><u>Section 1. Unpacking and Installation</u></b> .....	<b>1</b>
Unpacking: .....	1
Installation: .....	1
Electrical Connections: .....	1
Care & Cleaning: .....	1
<b><u>Section 2. Scale Operations Guide</u></b> .....	<b>2</b>
Display Functions: .....	2
Basic Weighing: .....	2
Units Select: .....	2
Battery: .....	2
Power: .....	2
Automatic Sleep Function: .....	2
<b><u>Section 3. Setup and Calibration Guide</u></b> .....	<b>3</b>
Power connections: .....	3
RS-232 Connections: .....	3
Calibration and Parameter Setup: .....	3
Calibration Troubleshooting: .....	4
<b><u>Section 4. Battery</u></b> .....	<b>5</b>
Charging: .....	5
Replacement: .....	5
Voltage Levels: .....	5
<b><u>Section 5. Parameter Setup</u></b> .....	<b>6</b>
Entering and Exiting Setup Mode: .....	6
Changing a Parameter: .....	6
Changing Start up Units: .....	6
Legal for Trade Restrictions: .....	6
<b><u>Section 6. Setup Menus Explained</u></b> .....	<b>7</b>
Resoluton (divisions) Setup Menu .....	7
Capacity Setup Menu .....	7
Calibration Menu(s) .....	7
Default Settings .....	7
Auto Off Mode .....	8
Operation Mode .....	8
Auto Zero Tracking .....	8
Motion Aperture .....	8
Start Up Zero .....	8
Data Output .....	9
Data Format .....	9
Baud Rate .....	9
Battery Charge Status Indicator .....	10
Units Enabled .....	10
Startup Units .....	10
Raw Counts .....	11
<b><u>Section 7. Data Communications</u></b> .....	<b>12</b>
Introduction to data communications: .....	12
Remote Scale Commands: .....	15
RS232 Pin-outs: .....	15
<b><u>Section 8. Specifications</u></b> .....	<b>16</b>
<b><u>Section 9. Troubleshooting</u></b> .....	<b>17</b>
General problem resolution and Error Messages: .....	17

## **Section 1. Unpacking and Installation**

### **Unpacking:**

Before unpacking your Doran scale, please read the instructions in this section. Your new scale is a durable industrial product, but it is also a sensitive weighing instrument. Normal care should be taken when handling and using this product. Improper handling or abuse can damage the scale and result in costly repairs that may not be covered by the warranty. If you notice any shipping damage, notify the shipper immediately. Please observe the following precautions to insure years of trouble free service from your new scale.

**! DO NOT drop the scale.**

**! DO NOT immerse the scale.**

**! DO NOT drop objects on the scale.**

Carefully remove the scale from the shipping carton. Be sure to retain all shipping materials in case the scale must be shipped elsewhere.

### **Installation:**

Place the scale on a stable flat surface. Verify that the bubble level located under the platter shows that the scale is level. Adjust the four feet to obtain a level condition (bubble in center.)

### **Electrical Connections:**

The PC400 uses a wall mounted transformer or an internal rechargeable battery to provide power to the scale. The transformer requires 115 VAC, 50/60 Hz power. Be sure the AC power is not excessively noisy – this can occur if large inductive loads, such as solenoids or motors, are on the same power line. Subjecting electronics to problematic AC power lines may result in damage not covered by the warranty. Also be sure that the power outlet and transformer are not exposed to water while the scale is plugged in.

### **Care & Cleaning:**

With reasonable care, this product will last for many years. Here are some tips to care for your PC-400 Portion Control Scale.

- Hand clean with a damp cloth using mild detergent.
- Do not wash the scale in a dishwasher – the removable platter is dishwasher safe.
- Do not use strong solvents or abrasive cleaners as this can damage the touch panel or other plastic parts.
- Do not drop or overload the scale.
- Do not use sharp objects to press any of the buttons.
- Always use the PC-400 on a stable, vibration-free surface for best weighing results.
- Do not immerse.

## Section 2. Scale Operations Guide

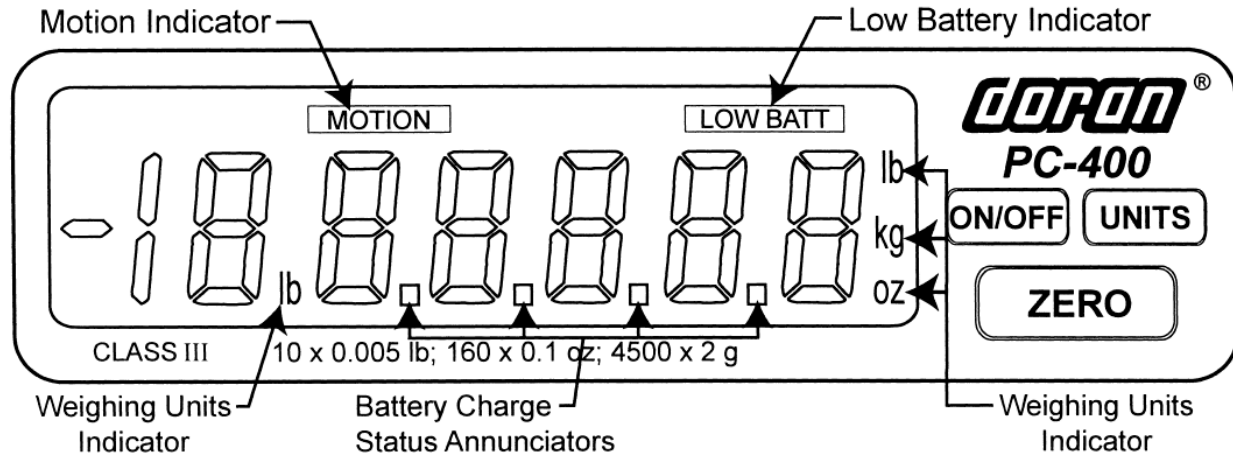


Fig. 1 PC-400

### Display Functions:

The Model PC-400 controls consist of ON/OFF, UNITS and ZERO buttons located next to the main LCD display. The display is used to provide weight indications and operator messages describing scale operation.

### Basic Weighing:

1. Select the desired weighing units by pressing the UNITS button.
2. Empty the scale platter and press ZERO to zero the scale.
3. Place an item on the scale platter and wait for the MOTION indicator to go out.
4. Read the weight on the display.

### Units Select:

Press the UNITS button to change weight display units from lb - oz - kg - g - lb:oz.

### Battery:

When the battery needs to be recharged, the "LOW BATT" indicator illuminates.

### Power:

The PC-400 is powered by an AC wall transformer or the internal rechargeable battery, both standard features. Turn the scale on or off by pressing ON/OFF.

### Automatic Sleep Function:

The PC-400 has a feature called "Auto Shut-down" that turns the scale off after a preset time of no activity. This helps conserve battery life. The preset time is selectable from 1 minute to 60 minutes or it can be disabled so the scale remains on continuously. The default setting is 5 minutes.

### **Section 3. Setup and Calibration Guide**

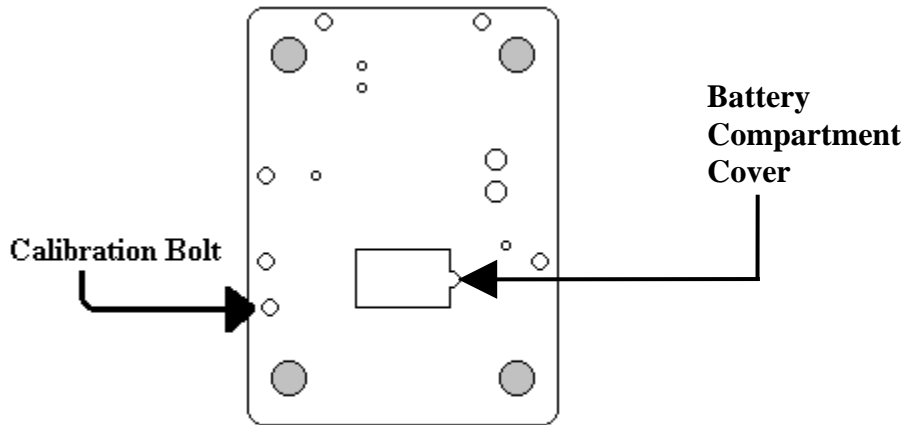
#### **Power connections:**

The PC-400 is powered from a wall mounted transformer or the internal rechargeable battery. The transformer has a power cord which plugs into the power jack located on the back of the scale.

#### **RS-232 Connections:**

The PC-400 has a standard RS-232 output. To use this feature, the optional RS-232 cable (P/N PCOPT03-1) is needed. To access the RS-232 RJ12 port at the rear of the scale, simply cut the label along the outside edge of the connector to remove the portion of the label covering the RJ-12 connector. Plug one end of the RS-232 connector into the RJ-12 connector located on the rear of the scale. Attach the other end to your computer or printer.

#### **Calibration and Parameter Setup:**



**PC400 Underside**

- 1) After applying power to the PC-400, remove the platter, turn the scale over. If the calibration bolt has a lead and wire seal, you will require the assistance of a state certified scale technician to retain legal for trade status. Remove the calibration bolt as shown above, place a thin blunt object through the hole and press straight down. The scale should enter the Setup/Calibration mode, and the scale should display "0.0000" (or "0.000" or "0.00" depending on the scale resolution.)
- 2) Turn the scale upright, replace the platter and press the UNITS button twice. The scale should now display "CAL 0".
- 3) Remove all weight from the scale platter. Press ZERO. Wait for the scale to count down from "7" to "0". If the scale detects motion, the display will restart the count. When finished, the display will return "CAL F5".

NOTE: If “r 0 E r r” appears on the display, the calibration zero is out of range. Press ZERO to clear this error. Refer to the Calibration Troubleshooting section for additional information.

4) Place full capacity (2lbs for the 2.2lb scale and 12lbs for the 13.2lb scale) on the platter and press ZERO. Wait for the scale to count down from “7” to “0”. If the scale detects motion, the count will restart. When finished, the scale will return to the weigh mode.

NOTE: If “5 P n L” or “5 P n H” appears on the display, the calibration span is out of range. Verify that the calibration weight is correct and repeat the calibration. Refer to the Calibration Troubleshooting section for additional information.

5) If additional parameter changes are needed, refer to Chapter 4.

6) Replace the calibration bolt.

**Calibration Troubleshooting:**

The following table shows the acceptable “Raw Counts” for no load and full load. “Raw Counts” can be viewed through the last setup parameter. Refer to Section 4, Parameter Setup, for more information regarding parameter viewing. If the scale’s raw counts are not within the ranges specified in the following table, contact a Doran certified scale technician or Doran’s Technical Assistance department at 800-262-6844.

Scale Capacity	Acceptable “Raw Counts” for no load	Acceptable CHANGE in “Raw Counts” for full load
2 lb	18,500 – 41,000	64,500 – 92,500
5 lb	14,500 – 35,250	110,000 – 143,000
10 lb	6000 – 24,000	120,500 – 153,000

## **Section 4. Battery**

### **Charging:**

The Model PC-400 can be operated by the Internal Rechargeable Battery. The typical battery life is 10 hours of continuous use. The scale will display “LOW BATT” in the LCD display panel when the battery needs to be recharged. To recharge the battery, follow these steps:

1. Insert the power connector into the rear of the scale.
2. Plug the power cord into an AC outlet (115 VAC). When the scale is turned off, battery charge status annunciators will appear on the bottom of the display. As the battery charges, the battery charge status annunciators, beginning on the left, will turn on. When the scale is fully charged, all four battery charge status annunciators will remain on. It takes approximately four hours to completely recharge the battery. The PC-400 can be used while it is being recharged. The battery charge status annunciators will not be visible when the scale is powered on.

### **Replacement:**

The Model PC-400 is powered by an internal rechargeable battery. If the battery loses its ability to maintain a charge, it will need to be replaced. Replace the battery following these steps:

1. Remove any items from the scale platter and unplug the power cord from the rear of the scale.
2. Remove the scale platter and set it aside.
3. Turn the scale over and remove the phillips head screw on the battery compartment cover.
4. Remove the cover and disconnect the old battery from the battery connector and replace it with a new battery.
5. Please note that the battery connector is keyed and insertion should not require a lot of force. If the connector will not go in place, check to make sure the connector has the correct orientation.
6. Replace the battery compartment cover and the phillips head screw.

### **Voltage Levels:**

To view the voltage of the battery, perform the following steps:

- Turn on the scale and wait for a stable weight to be displayed.
- Press and hold UNITS.
- Press and release ON/OFF.
- Release UNITS.

The battery voltage is now displayed. To exit this mode turn off the scale.

<b>Battery Voltages</b>	
<b>Battery/Scale condition</b>	<b>Voltage Level</b>
Fully Charged	8.4V
Low Battery	7.0V
Shut Off	6.3V

## **Section 5. Parameter Setup**

The PC-400 has adjustable setup parameters which control the scale's operation.

### **Entering and Exiting Setup Mode:**

#### **Quick Setup:**

The model PC-400 is equipped with a quick, front-panel setup mode. This setup mode allows the non-meteorological parameters to be modified. To enter the front-panel setup mode, perform the following steps:

1. Turn off the scale.
2. Press and hold the UNITS button.
3. Press and hold the ON/OFF button for approximately one second.
4. Release both buttons.

The scale will now be in the Quick Setup mode as indicated by "H 0 0F".

#### **Full Setup:**

To enter the complete setup menu, perform the following steps:

1. Apply power to the PC-400.
2. Remove the platter.
3. Turn the scale over and remove the calibration bolt.
4. Place a thin, blunt object through the hole and press straight down to activate the calibration switch.

The scale should enter the Setup/Calibration mode as indicated by "d w 2.5", "d w 5.0", or "d w 10", (depending on the scale's resolution.)

The parameters are accessed by pressing the UNITS button. Pressing this button will cause the scale to step to the next parameter on the list. To exit the setup mode, press and release the UNITS button until the scale returns to the weight mode.

NOTE: No setup information is saved until the PC-400 exits the setup mode. A power failure while in the Setup Mode will cause changes to be lost.

After all changes have been completed and the scale is in the operating mode, replace the calibration bolt on the bottom of the scale. If it is necessary to seal the scale, run a lead and wire seal through the calibration bolt and the adjacent bolt.

### **Changing a Parameter:**

Once the desired parameter has been found, it may be adjusted. Press and release "ZERO" to step through the individual options. When you have stepped through all of the parameters, the scale will return to the weigh mode.

### **Changing Start up Units:**

The scale will "power-up" with the same units that it was using when it was last turned off.

### **Legal for Trade Restrictions:**

The Legal for Trade mode disables the lb:oz mode.



## **Section 6. Setup Menus Explained**

### **Resolution (divisions) Setup Menu**

<b>dlw</b>	<b>Select Scale Capacity (lbs)</b>
2.5	# of scale displayed divisions is 2500. (default for 5lb and 10lb scales.) Use this resolution for NTEP applications.
5.0	# of scale displayed divisions is 5000.
10	# of scale displayed divisions is 10000. (default for 2lb scales.)

### **Capacity Setup Menu**

<b>[RP]</b>	<b>Select Scale Capacity (lbs)</b>
2	Scale capacity set to 2.2 pounds
5	Scale capacity set to 5 pounds
10	Scale capacity set to 10 pounds
12	Scale capacity set to 13.2 pounds (6 kg)
20	Scale capacity set to 20 pounds.

### **Calibration Menu(s)**

<b>[RL]</b>	<b>Zero Calibration Point</b>
0	Press ZERO to calibrate zero point

<b>[RL]</b>	<b>Span Calibration Point</b>
FS	Full scale calibration
	Apply full capacity to the scale, except for the 2.2lb scale, which uses 2lbs, and the 13.2 lb scale, which uses 12lbs. NOTE: This parameter is only visible after a zero calibration is performed.

### **Reset All Parameters to Default Settings?**

<b>rSt</b>	<b>Default parameters?</b>
n	No. Parameters are not defaulted.
y	Yes. Set all parameters to their default values when UNITS is pressed.

### Auto Off Mode

<b>R0</b> ↑	<b>Auto Off Mode</b> The amount of time before the scale will shut off, if not in use. (Stays on if plugged in.)
oF	Off. Scale will run continually
60	60 minutes
30	30 minutes
20	20 minutes
10	10 minutes
5	5 minutes
4	4 minutes
3	3 minutes
2	2 minutes
1	1 minute

### Operation Mode

<b>oP</b>	<b>Sets the scale for Legal for Trade mode</b>
5t	Standard mode. NOT legal for trade.
44	Handbook 44. Legal for trade.

### Auto Zero Tracking

<b>zt *</b>	<b># of displayed divisions that are automatically zeroed from displayed zero, while the scale is stable.</b>
0.5	1/2 division
3.0 *	3 divisions
1.0 *	1 division

### Motion Aperture

<b>nnA *</b>	<b># of displayed divisions that must change before motion is detected.</b>
1	1 division
3 *	2 divisions
5 *	3 divisions

### Start Up Zero

<b>5u0 *</b>	<b>Controls the start-up zero point</b>
no *	Scale will NOT zero on power up. Calibrated zero is loaded on power-up.
on	Scale will zero on power-up.

NOTE: The Legal for Trade mode disables certain options and selections listed above. These items have been indicated by an asterisk ( \* ).

↑ Indicates non-metrological parameters available from the front panel setup.

## Data Output

<b>d.o.</b> ↑	<b>Controls when information is transmitted from the scale through the serial port</b>
<b>C.P.</b>	Continuous data transmission. Transmits data each time the display is updated. Readings that occur when the scale is in motion are identified by the abbreviation "MOT." following the weight data.
<b>A.1</b>	Auto Print 1 transmits the first scale reading after the scale leaves motion. The reading must be stable and must be a valid reading before it can be sent.
<b>A.2</b>	Auto Print 2 transmits the first scale reading following the scale leaving motion. In Auto Print 2, no further readings will be sent until the scale returns to displayed zero. The reading must be stable and must be a valid reading before it can be sent.
<b>t.d.</b>	Transmits data when the "W" command is received through the serial port. The scale must be stable and the weight must be valid (no error codes displayed) before data is printed.

## Data Format

<b>For.</b> ↑	<b>Format of transmitted data from the serial port</b>
<b>F0</b>	Basic data format.
<b>2P</b>	Basic dual print format. Includes metric weight.
<b>F1</b>	Legacy data format. <b>Output NOT Legal for Trade.</b>
<b>5P</b>	Basic format for an Eltron SSP printer. Call Doran for details.

## Baud Rate

<b>b.r.</b> ↑	<b>Serial port transmission rate</b>
<b>12</b>	1200 Baud (bits per second)
<b>24</b>	2400 Baud (bits per second)
<b>48</b>	4800 Baud (bits per second)
<b>96</b>	9600 Baud (bits per second)

### Battery Charge Status Indicator

CHG ↑	<b>Controls the battery charge status indicators</b>
ON	Battery charge status indicators on. The battery charge status indicators will behave as described in the Battery Section.
OFF	Battery charge status indicators off. The battery charge status indicators will not operate.

### lb Units Enabled

↑	<b>Enables/Disables pounds</b>
ON	lb is enabled.
OFF	lb is disabled.

### lb:oz Units Enabled

↑	<b>Enables/Disables pounds:ounces</b>
ON	lb:oz is enabled.
OFF	lb:oz is disabled.

### oz Units Enabled

↑	<b>Enables/Disables ounces</b>
ON	oz is enabled.
OFF	oz is disabled.

### kg Units Enabled

↑	<b>Enables/Disables kilograms</b>
ON	kg is enabled.
OFF	kg is disabled.

### g Units Enabled

↑	<b>Enables/Disables grams</b>
ON	g is enabled.
OFF	g is disabled.

### Startup Units

UNIT ↑	<b>Determines scale startup units</b>
lb	Scale starts up in lb.
lb:oz	Scale starts up in lb:oz.
oz	Scale starts up in oz.
kg	Scale starts up in kg.
g	Scale starts up in g.

## Raw Counts

#####	Raw counts from A/D converter
	View these numbers if calibration is unsuccessful. Refer to Section 3 for interpretation of these numbers. Press UNITS to exit.

## Section 7. Data Communications

### Introduction to data communications:

Basic understanding of serial data communications is needed when setting up the PC400 to communicate with a printer or PC.

When setting up a serial communications system, there are two concerns which affect the configuration of that system. These are:

- Baud Rate
- Data Bits and Parity

The baud rate determines how fast the data is sent from the scale. The sending and receiving units must be set to the same baud settings. Typical values are 1200, 2400, 4800 and 9600.

The PC400 is factory set for eight bits, no parity and one stop bit also known as 8n1. The receiving units must be set to 8n1 for proper communications.

### “F0” Example (Negative weight, in motion)

☹ - 2.452 lb MOT. ⏏

#### “F0” Print String Definition for Each Weight Unit:

##### **Pounds**

STX | POL | WEIGHT | SP | lb | SP | ST | CR | LF

##### **Ounces**

STX | POL | WEIGHT | SP | oz | SP | ST | CR | LF

##### **Kilograms**

STX | POL | WEIGHT | SP | kg | SP | ST | CR | LF

##### **Grams**

STX | POL | WEIGHT | SP | g | SP | SP | ST | CR | LF

##### **Pounds-ounces**

STX | POL | WEIGHTLB | SP | lb | POL | WEIGHTOZ | SP | oz | SP | ST | CR | LF

STX and ☹ = ASCII 02.

POL = minus sign for negative weight or a space for a positive weight.

WEIGHT = 6 character field plus decimal if needed.

WEIGHTLB = pound portion of lb-oz weight.

WEIGHTOZ = ounce portion of lb-oz weight. (WEIGHTLB and WEIGHTOZ total 5 characters plus decimal)

SP = ASCII space.

ST = MOT. if in motion or a space if stable.

CR and ⏏ = Carriage return.

LF and ⏏ = Linefeed.

| = Separator, not printed.

## “F1” Example (Negative weight, in motion)

☺ - 2.452 LBM.␣

### “F1” Print String Definition for Each Weight Unit:

#### Pounds

STX | POL | WEIGHT | SP | LB | ST | CR | LF

#### Ounces

STX | POL | WEIGHT | SP | OZ | ST | CR | LF

#### Kilograms

STX | POL | WEIGHT | SP | KG | ST | CR | LF

#### Grams

STX | POL | WEIGHT | SP | G | SP | ST | CR | LF

#### Pounds-ounces

STX | POL | WEIGHTLB | SP | LB | POL | WEIGHTOZ | SP | OZ | SP | ST | CR | LF

STX and ☺ = ASCII 02.

POL = minus sign for negative weight or a space for a positive weight.

WEIGHT = 6 character field plus decimal if needed.

WEIGHTLB = pound portion of lb-oz weight.

WEIGHTOZ = ounce portion of lb-oz weight. (WEIGHTLB and WEIGHTOZ total 5 characters plus decimal)

SP = ASCII space.

ST = M if in motion or a space if stable.

CR and ␣ = Carriage return.

LF and ␣ = Linefeed

| = Separator, not printed.

## “2P” Example (Negative weight, in motion)

☺ - 2.452 lb MOT.␣

☺ (- 1112 g MOT.)␣

The dual print mode provides the PC400 with the ability to print the current scale reading followed by the equivalent value in grams.

The weight is first printed using the “F0” format. Then the weight is recalculated in grams and is sent as a second line of text. The gram data follows the “F0” data format except where parentheses are placed after the STX character and before the carriage return & line feed.

## “SP” Example (Negative weight, in motion)

FR”L1”

?

- 1.052

lb

GS

MOT.

- 0.478

kg

P1,1

### “SP” Print String Definition for Each Weight Unit:

#### Pounds

FR”L1” | LF | ? | LF | POL | WEIGHT | LF | lb | LF | GS | LF | ST | LF | POL | WEIGHT2 | LF | kg | LF | P1,1 | LF

#### Ounces

FR”L1” | LF | ? | LF | POL | WEIGHT | LF | oz | LF | GS | LF | ST | LF | POL | WEIGHT2 | LF | kg | LF | P1,1 | LF

#### SP, kilograms

FR”L1” | LF | ? | LF | POL | WEIGHT | LF | kg | LF | GS | LF | ST | LF | POL | WEIGHT2 | LF | kg | LF | P1,1 | LF

#### Grams

FR”L1” | LF | ? | LF | POL | WEIGHT | LF | g | SP | LF | GS | LF | ST | LF | POL | WEIGHT2 | LF | kg | LF | P1,1 | LF

#### Pounds - ounces

FR”L1” | LF | ? | LF | POL | WEIGHTLB | SP | lb | POL | WEIGHTOZ | LF | oz | LF | GS | LF | ST | LF | POL | WEIGHT2 | LF | kg | LF | P1,1 | LF

POL = minus sign for negative weight or a space for a positive weight.

WEIGHT = 6 character field plus decimal if needed.


WEIGHT2 = Kilogram weight. 6 character field plus decimal if needed.


WEIGHTLB = pound portion of lb-oz weight.

WEIGHTOZ = ounce portion of lb-oz weight. (WEIGHTLB and WEIGHTOZ total 5 characters plus decimal)

SP = ASCII space.

ST = MOT. if in motion or four (4) spaces if stable.

CR and  = Carriage return.

LF and  = Linefeed

| = Separator, not printed.



### Remote Scale Commands:

The scale will respond to the following single letter ASCII commands.

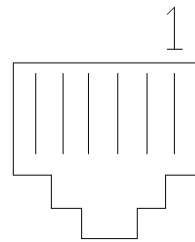
“W” initiates transmission of current weight data (if scale is stable).

“U” changes the displayed weight units.

“Z” zeroes the scale (if in motion, scale will wait until stable, then zero.)

### RS232 Pin-outs:

Pin#	Function
1	NC
2	GND
3	NC
4	RXD
5	TXD
6	NC



RJ11 (As viewed from rear of scale.)

## **Section 8. Specifications**

	<b>Model PC-400</b>
Resolution:	2500d, 5000d or 10000d
Power Supply:	Wall Transformer output: (scale input) 12VDC, 300mA Neg. (-) center Internal, rechargeable battery
Display:	0.66" high LCD
Displayed units:	lb, oz, kg, g and lb-oz
Indicator Capacities:	2, 5 and 10 lbs
Printer Interface:	Bi-directional RS-232
Calibration:	Zero and Full Capacity
Controls:	ON/OFF, ZERO and UNITS buttons
Construction:	304 Stainless Steel construction
Options:	RS232 cable P/N PCOPT03-1 230 VAC Transformer P/N PCOPT02

## **Section 9. Troubleshooting**

### **General problem resolution:**

<b>Problem:</b>	<b>What to Do or Check:</b>
Weight reading will not repeat or scale does not return to zero when weight is removed.	Make sure that the scale platter is not rubbing or touching the scale cover. Verify that there is nothing caught in the platform, under or around the load cell or spider.
Scale overloads early	Verify scale calibration is correct. If problem persists, recalibrate the scale.
Scale will not come to zero when the ZERO button is pressed.	Make sure that the scale is becoming stable (Motion annunciator is off.) After pressing the zero button, the scale should zero as soon as it becomes stable. If problem persists, there may be a problem with the touch panel or motherboard.
Weight readings don't seem to be correct.	Verify the scale calibration with an accurate test weight. If the readings are not correct, recalibrate.
Scale drifts off zero.	Check for air currents and/or vibration around the scale. If that is the cause, it may be necessary to set the AZT and nNA parameters to wider settings to compensate (see the parameter section.) Verify that no mechanical restrictions exist, i.e. platter rubbing, something caught under or around the load cell.
Bubble level cannot be centered.	Place scale on level surface. If problem persists, replace the bubble level and recalibrate.
Scale shuts itself off or will not turn on.	Check the AO (Auto Off) parameter. Increase shut off time if necessary.  Battery or transformer may be bad. See the battery section for testing the battery and wall transformer.

## Error Messages:

Error Message:	What to do or check:
"Er EP"	<p>The setup parameters loaded in nonvolatile memory have become corrupted.</p> <p>Verify scale parameters and calibrate.</p>
"r9 Er"	<p>The calibration zero is out of range. Error is displayed after a ZERO calibration attempt. Press zero to clear this error.</p> <p>Refer to the analog setup section for additional information.</p> <p>Motherboard or load cell may need to be replaced.</p>
"Ld9 0"	<p>The scale is attempting to zero on power-up.</p> <p>This message will remain until the scale is stable. Air currents or vibration may be the cause. If problem persists, the pcb or load cell may be damaged.</p> <p>NOTE: This message will not appear if parameter Suo = no.</p>
"ov-Ld"	<p>The scale is in overload. The load on the scale platform exceeds the scale capacity by more than 105%.</p> <p>Remove excess weight from scale platform. If problem persists, recalibrate.</p> <p>If problem still persists, the motherboard or load cell may need to be replaced.</p>
"99-ol"	<p>The scale is in gross overload. The load exceeds the scale rating and might result in damage to the scale.</p> <p>Remove excess weight immediately. If problem persists, recalibrate.</p> <p>If problem still persists, the motherboard or load cell will need to be replaced.</p>
"SPnL"	<p>Raw counts for the span calibration is too low. Refer to the "Calibration Troubleshooting" section for raw count ranges.</p>
"SPnH"	<p>Raw counts for the span calibration is too high. Refer to the "Calibration Troubleshooting" section for raw count ranges.</p>

## **Limited One Year Warranty**

Doran Scales, Inc. warrants its products to be free from defects in material and workmanship for a period of one (1) year from date of shipment, excluding the Internal Rechargeable Battery which has a 90 day warranty. Any product found to be defective within this time period may be returned to Doran's factory, freight prepaid, with prior return authorization and proof of purchase showing date of original sale, for repair or replacement at no charge.

Doran's liability under this warranty is limited to the repair or replacement of the defective product and in no event shall Doran Scales, Inc. be liable for consequential or indirect damages to equipment or personnel. Nor shall Doran Scales, Inc. be liable for damages to equipment or for personal injury caused by misuse, overload, accidental damage, alteration, improper installation, or unauthorized opening of the equipment. Under no circumstances will Doran Scales, Inc. be responsible for any indirect or consequential damages due to errors in weighing or failure of a Doran Scales, Inc. product to perform properly.

THIS WARRANTY IS IN LIEU OF ALL OTHER WARRANTIES, EXPRESS OR IMPLIED. THIS WARRANTY CONSTITUTES DORAN'S EXCLUSIVE WARRANTY. THERE ARE NO OTHER WARRANTIES, EXPRESS OR IMPLIED, INCLUDING ANY WARRANTY OF MERCHANTABILITY OR FITNESS FOR A PARTICULAR PURPOSE.

**Doran Scales, Inc.**  
1315 Paramount Pkwy  
Batavia, IL 60510  
1-800-262-6844  
[www.doranscales.com](http://www.doranscales.com)