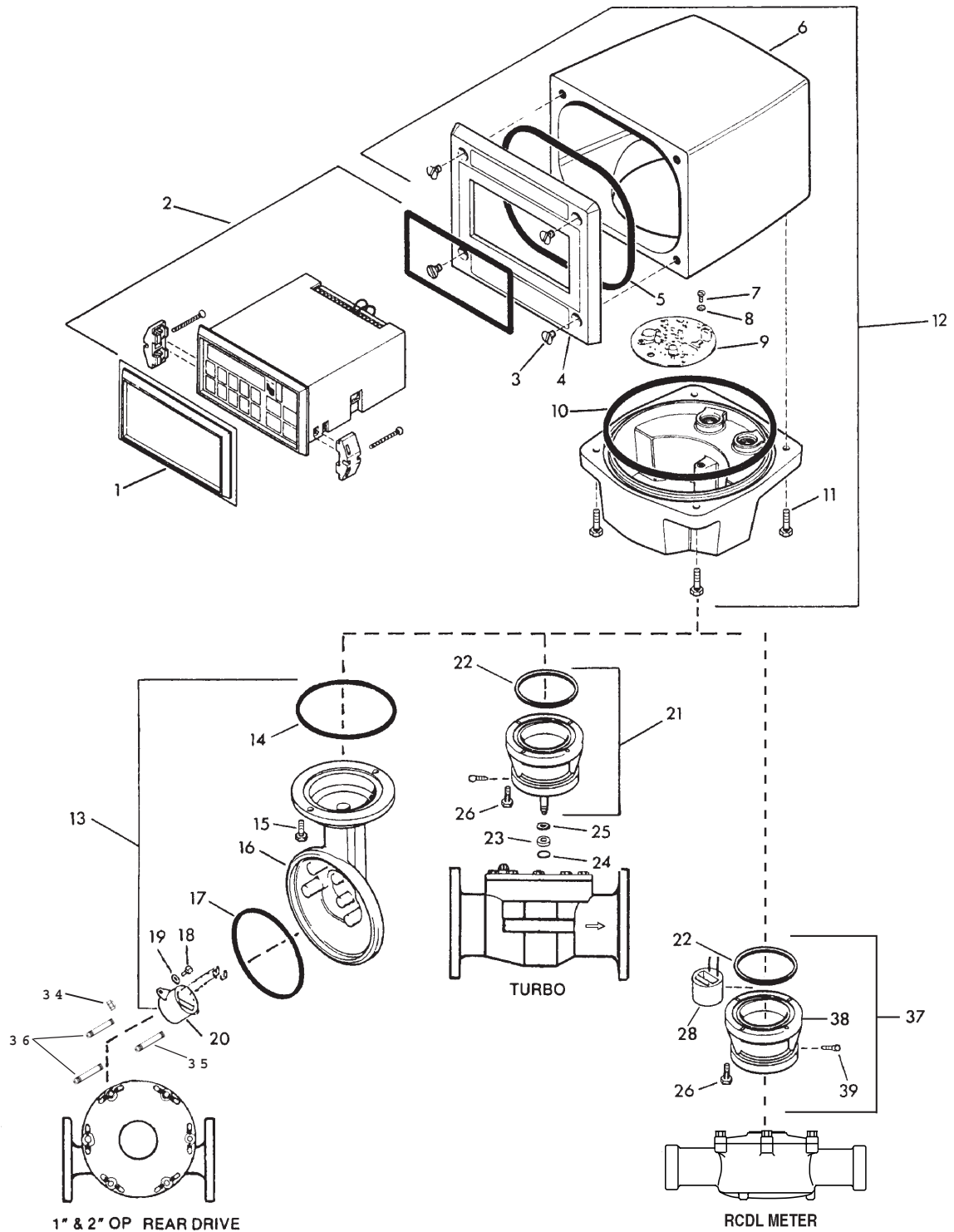


Model PC100 Meter Mount

Industrial Process Controller

Repair Parts



BadgerMeter, Inc.

IRP-034-11  
Part No. 53401-034

2-06

ORDER INFORMATION: This repair parts bulletin shows an exploded view of the product with specific reference to those items available for replacement. The item number and part number may change at any time; therefore it is important when placing an order that a complete description of the part, meter size, model, and serial number be provided.

ITEM NO.	PART DESCRIPTION	PART NUMBER
1	<b>Protective Cover</b> , PC Controller (Optional) .....	58689-001
2	<b>Process Controller</b> , PC100 .....	Note 1
3	<b>Screw</b> , 1/4-20 x 3/8", PC Bezel .....	55072-276
4	<b>Bezel</b> , PC Housing .....	58691-001
5	<b>Tetraseal</b> , PC Bezel to Housing .....	22559-042
6	<b>Housing</b> , PC Meter Mount .....	56564-001
7	<b>Screw</b> , 6-32 x 1/4" .....	55129-168
8	<b>Lockwasher</b> , External Tooth #6 .....	55281-007
9	<b>PC Board</b> , FT 420 Assembly .....	64199-001
10	<b>Tetraseal</b> , Housing Base, PC Meter Mount .....	22559-016
11	<b>Bolt</b> , Hex. Head, 1/4-20 x 7/8" .....	55030-113
12	<b>Enclosure Assy.</b> , w/o 4-20 ma PC Board .....	58751-002
12	<b>Enclosure Assy.</b> , with 4-20 ma PC Board .....	58751-012
12	<b>Enclosure Assy.</b> , with 4-20 ma, PC Board Remote .....	58751-011
12	<b>Enclosure Assy.</b> , w/o 4-20 ma, PC Board Remote .....	58751-001
13	<b>Adapter Assy.</b> , Right Angle PC Meter Mount (Without 4-20 Board) .....	58954-001
14	<b>Tetraseal</b> , PC to Adapter .....	22559-034
15	<b>Bolt</b> , Hex. Head, 1/4-20 x 1/2" .....	55030-110
16	<b>Adapter</b> , Right Angle Machined .....	58712-001
17	<b>Gasket</b> , Adapter to Meter .....	33790-000
18	<b>Screw</b> , Fill. Head 8-32 x 1/4" .....	55089-114
19	<b>Lockwasher</b> , Internal Tooth #8 .....	22562-004
20	<b>Reed Switch Assembly</b> , Pickup FT-1 .....	62704-001
20	<b>Electronic Sensor Assembly</b> , for OP Meters FT-1E .....	62704-002
21	<b>Reed Switch Adapter</b> , Assembly, 2" and 3" Turbo (Note 2) .....	62946-001
21	<b>Electronic Sensor</b> , 2" and 3" Turbo .....	59672-001
21	<b>Reed Switch Adapter</b> , Assembly, 4" Turbo (Note 2) .....	62946-002
21	<b>Electronic Sensor</b> , Assembly, 4" Turbo .....	59672-002
21	<b>Reed Switch Adapter</b> , Assembly, 6" Turbo (Note 2) .....	62946-003
21	<b>Electronic Sensor</b> , Assembly, 6" Turbo .....	59672-003
22	<b>Tetraseal</b> , PC to Adapter .....	22559-034
23	<b>Spacer</b> , Register Base .....	57337-001
24	<b>O-Ring</b> , Register Base, Buna N .....	55300-110
24	<b>O-Ring</b> , Register Base, EPR .....	31132-046
24	<b>O-Ring</b> , Register Base, Viton A .....	31132-045
25	<b>Retaining Ring</b> (316 S.S.) .....	22886-012
26	<b>Bolt</b> , Hex. Head 1/4-20 x 1/2" .....	55030-110
28	<b>Reed Switch Assembly</b> , Pickup (Note 2) .....	62704-005
28	<b>Electronic Sensor Assembly</b> , for SC-ER or RC DL Meters .....	62927-001
31	<b>Sealscrew</b> , Bronze Adapter .....	22533-004
34	<b>Acorn Nut</b> (3 needed) .....	22085-000
35	<b>Stud</b> (1 needed) .....	24191-011
36	<b>Studs</b> (2 needed) .....	24191-014
37	<b>Adapter</b> , Reed Switch, Bronze Assembly (Note 2) .....	62737-002
37	<b>Adapter</b> , Electronic Sensor, Bronze Assembly .....	62737-001
38	<b>Adapter Housing</b> , Bronze .....	58091-002
39	<b>Sealscrew</b> , Bronze Adapter .....	32140-000

**Note 1:** Refer to Industrial Accessories Price List (IPL-205).

**Note 2:** These reed switch assemblies are used only when FT420 PC boards are included in the total meter mount assembly.



Please see our website at  
[www.badgermeter.com](http://www.badgermeter.com)  
 for specific contacts.

Due to continuous research, product improvements and enhancements, Badger Meter reserves the right to change product or system specifications without notice, except to the extent an outstanding contractual obligation exists.



**BadgerMeter, Inc.**

P.O. Box 245036, Milwaukee, WI 53224-9536  
 Telephone: (414) 355-0400 / (877) 243-1010  
 Fax: (414) 355-7499 / (866) 613-9305  
[www.badgermeter.com](http://www.badgermeter.com)