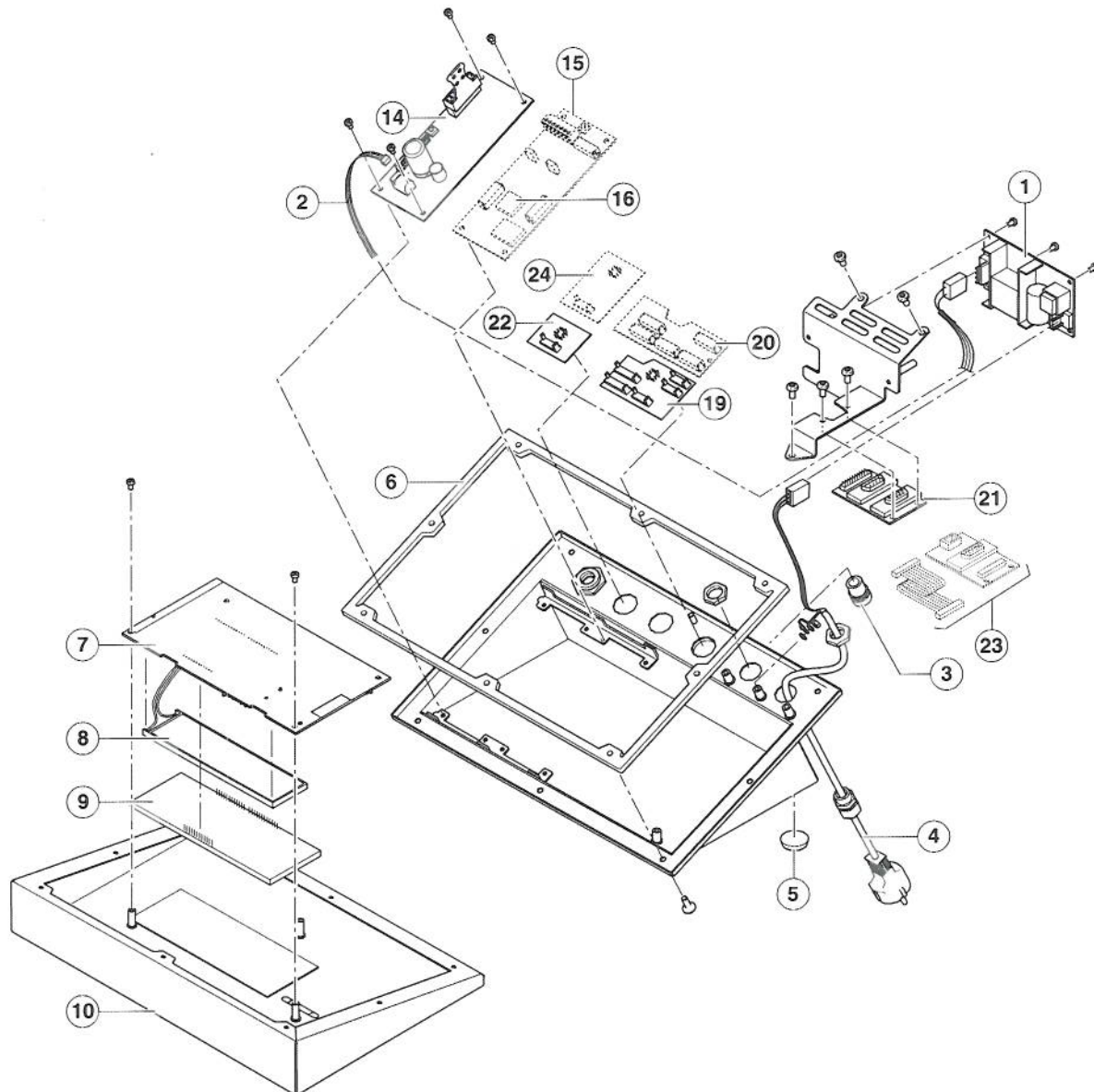
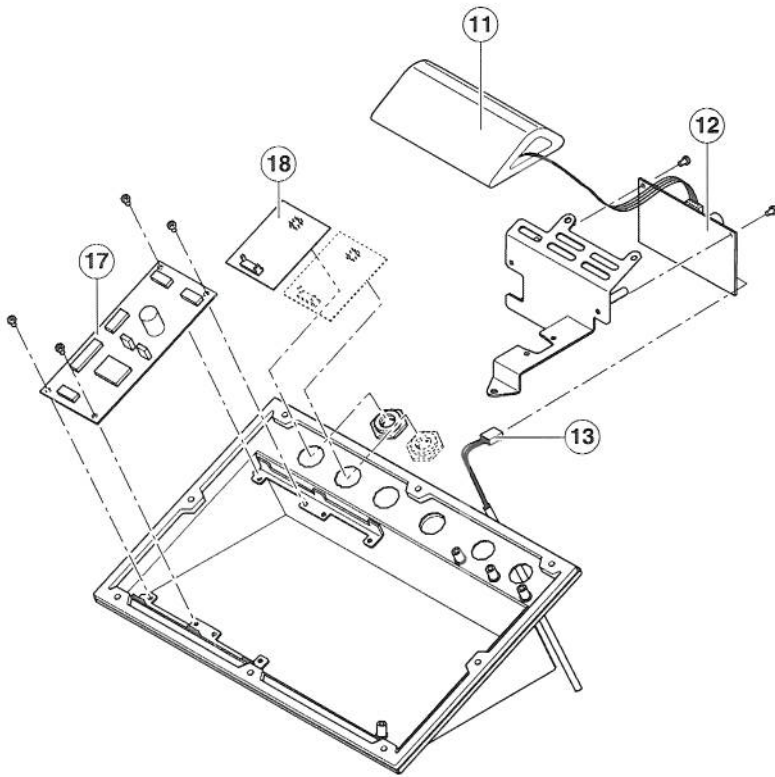


## 2 Spare parts

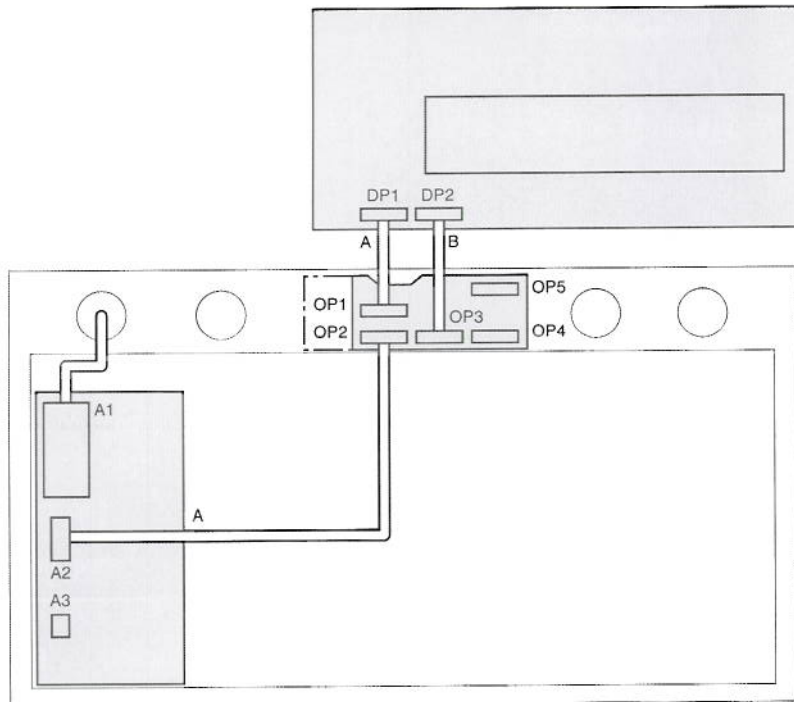
### 2.1 Weighing terminals with analog scales connection, mains connection



## 2.2 Weighing terminals with IDNet connection, storage battery version



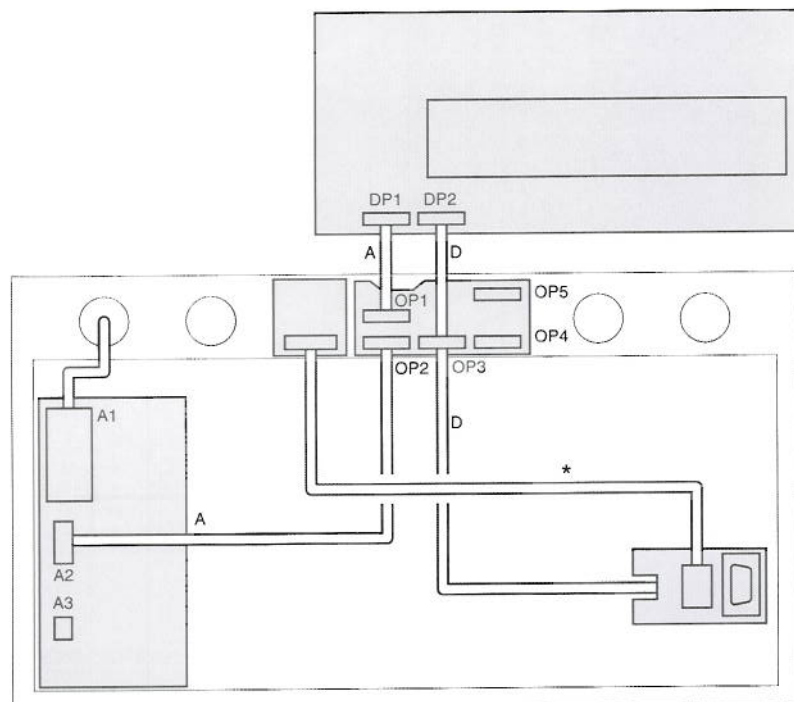
### 2.3 Cabling



Scale	Data interface(s)	
1 x analog	RS232	-
1 x analog	RS232	RS232
1 x analog	RS422/485	RS232
1 x analog	RS232	Digital I/O

**Cable**

2 x cable A	21 203 167
1 x cable B	21 203 604

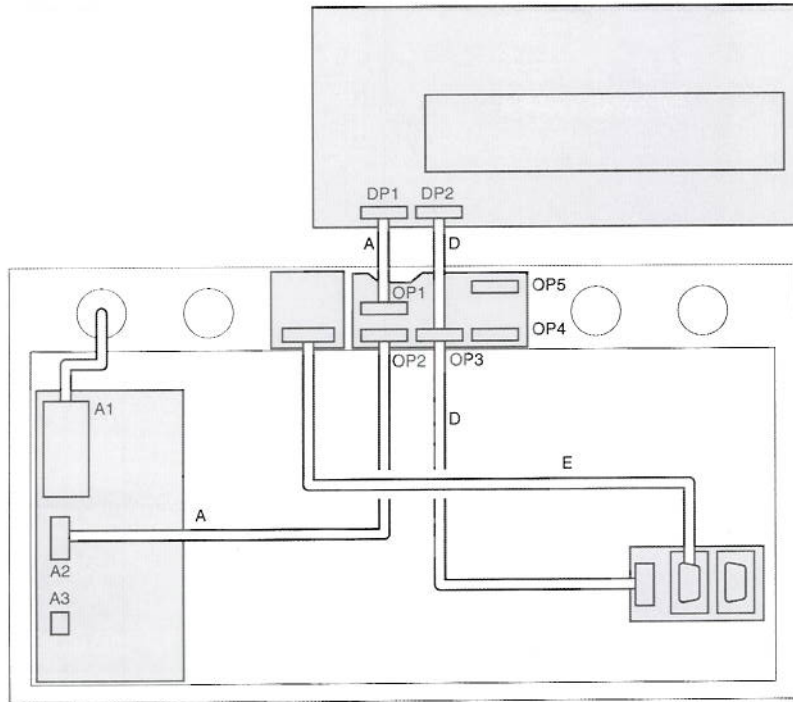


Scale	Data interface(s)	
1 x analog	RS232	Ethernet

**Cable**

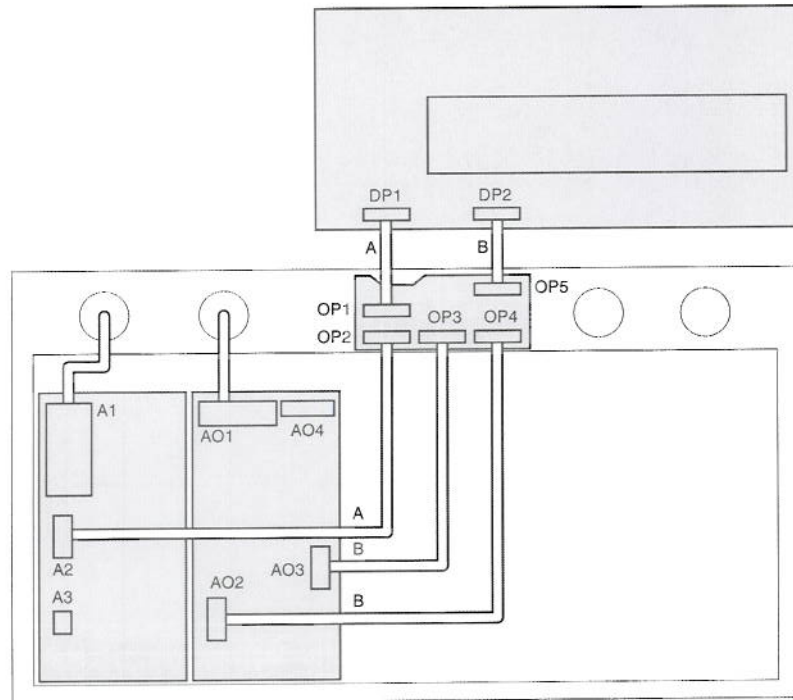
2 x cable A	21 203 167
1 x cable B	21 203 604
1 x cable D	with centre-tap 22 013 717

\* Cable supplied with Ethernet PCB



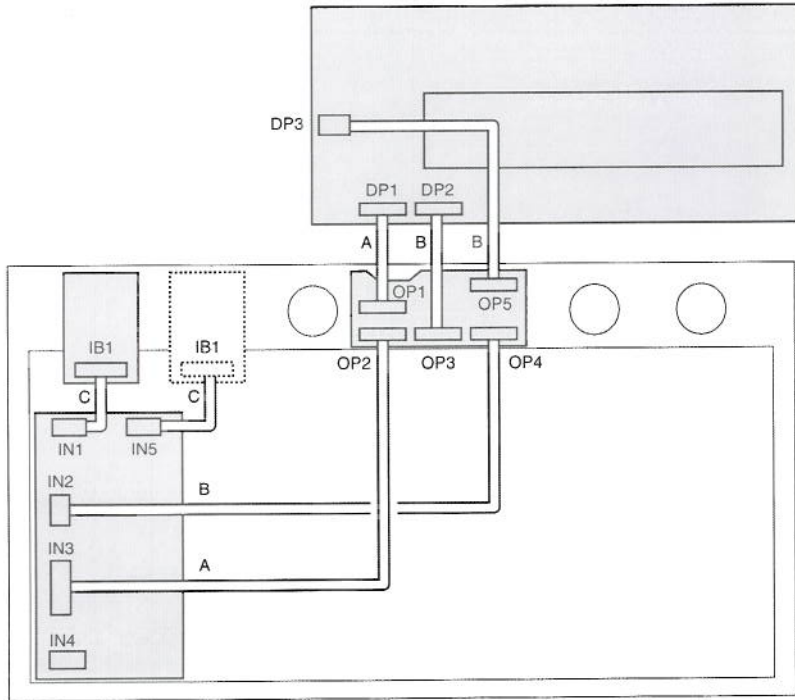
**Scale**      **Data interface(s)**  
 1 x analog    RS232      USB

**Cable**  
 2 x cable A      21 203 167  
 1 x cable D  
     with centre-tap    22 013 717  
 1 x cable E      21 203 168



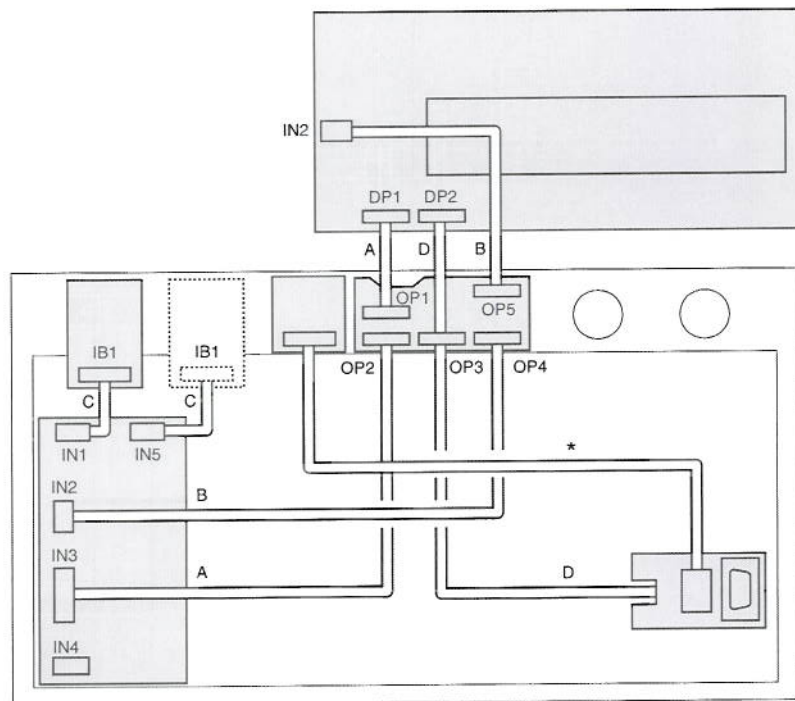
**Scale**      **Data interface(s)**  
 2 x analog    RS232      -

**Cable**  
 2 x cable A      21 203 167  
 3 x cable B      21 203 604



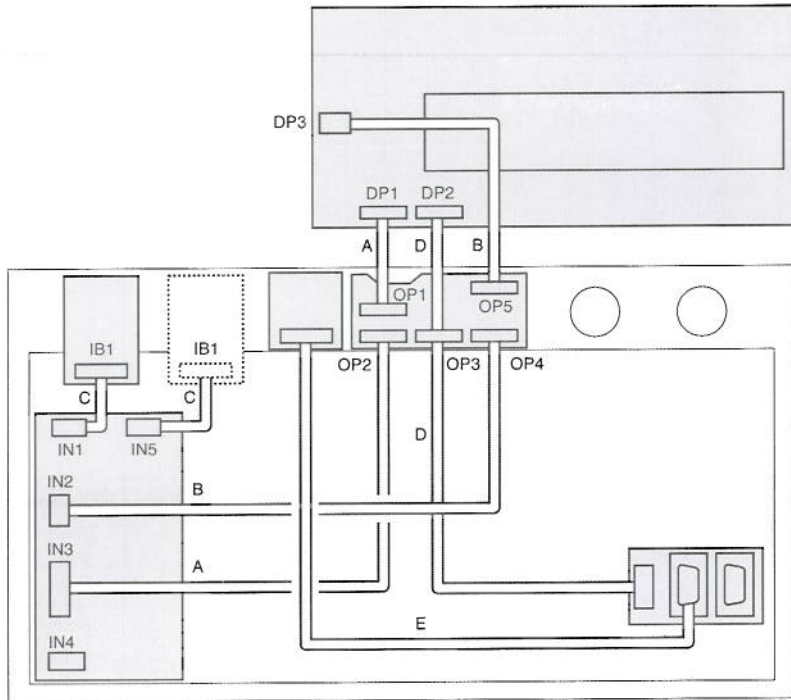
Scale	Data interface(s)	
1 x IDNet	RS232	-
1 x IDNet	RS232	RS232
1 x IDNet	RS422/485	RS232
1 x IDNet	RS232	Digital I/O
2 x IDNet	RS232	-
2 x IDNet	RS232	RS232
2 x IDNet	RS422/485	RS232
2 x IDNet	RS232	Digital I/O

Cable	
2 x cable A	21 203 167
3 x cable B	21 203 604
1(2) x cable C	22 013 768



Scale	Data interface(s)	
1 x IDNet	RS232	Ethernet
2 x IDNet	RS232	Ethernet

Cable	
2 x cable A	21 203 167
2 x cable B	21 203 604
1(2) x cable C	22 013 768
1 x cable D	with centre-tap 22 013 717
* Cable supplied with Ethernet PCB	



Scale	Data interface(s)	
1 x IDNet	RS232	USB
2 x IDNet	RS232	USB

Cable	
2 x cable A	21 203 167
2 x cable B	21 203 604
1(2) x cable C	22 013 768
1 x cable D	
with centre-tap	22 013 717
1 x cable E	21 203 168

## 2.4 Spare parts list

Item	Pcs.	Designation	IND429	IND439	IND449
<b>Basic unit with mains connection, independent of application level</b>					
1	1	Power supply unit CFM20 (100 – 240 V AC)		22 013 704	
2	1	Power supply unit connection cable		22 103 706	
3	1	Diaphragm vent POV / M12x1.5		22 009 847	
4	1	Power cable			
		Version EURO		22 005 877	
		Version UK		22 005 878	
		Version USA		22 005 879	
		Version CH		22 005 880	
		Version AUS		22 005 881	
		Version DK		22 005 882	
		Version SA		22 005 883	
5	4	Rubber base		00 200 068	
6	1	Cover seal		22 013 709	
<b>Application level</b>					
7	1	Digital PCB for analog version	21 204 025	21 204 025	21 203 524
	1	Digital PCB for IDNet-Version	22 013 719	22 013 719	22 013 719
8	1	Background lighting	21 203 136	21 203 137	21 203 137
9	1	LCD	21 203 134	21 203 687	21 203 687
10	1	Cover complete with keyboard	22 013 974	22 013 975	22 013 976
<b>Storage battery version / external voltage supply, independent of application level</b>					
11	1	Storage battery 14.4 V NiMH		22 011 349	
12	1	PCB Charger NiMH		22 011 451	
13	1	Socket for battery charger connection / external power supply		22 013 739	
	2	Adhesive tape		21 20 3 184	
	1	Desk power supply unit 24 V DC / 1.88 A		22 011 300	
	1	Power cable for battery charger			
		Version EURO		00 209 918	
		Version UK		22 005 261	
		Version USA		00 208 835	
		Version CH		00 209 919	
		Version AUS		22 011 455	
		Version DK		22 011 454	
		Version SA		22 011 456	
	1	Connection cable for external power supply, 5 m		22 013 791	

Item Pcs.	Designation	IND429	IND439	IND449
<b>Scales connection, dependent on application level</b>				
14	1 Analog PCB for the first scale	21 255 054	21 255 054	21 255 054
15	1 Analog PCB for the second scale	–	21 203 383	21 203 383
16	1 EPROM for the second analog scale	–	21 255 318	21 255 318
17	1 IDNet PCB, supplies the 1st and, if appropriate, 2nd scale	22 013 758	22 013 758	22 013 758
18	1(2) PCB with IDNet connection socket	22 013 755	22 013 755	22 013 755
<b>PCBs option, independent of application level</b>				
19	1 PCB 1xRS232, incl. socket		22 013 740	
20	1 PCB 2xRS232, incl. sockets		22 013 752	
	1 PCB 1xRS232 and 1xRS422/485, incl. sockets		22 013 749	
	1 PCB 1xRS232 and 1xDigital I/O, incl. sockets		22 013 746	
<b>USB and Ethernet, independent of application level</b>				
21	1 PCB 1xUSB		21 204 114	
22	1 PCB 1xUSB IP69K connection socket		22 013 743	
23	1 PCB 1xEthernet incl. connection cable to the Ethernet connection socket		21 204 027	
24	1 PCB 1xEthernet IP69K connection socket		00 209 432	



## 2.5 Hardware set

The hardware set contains all the standard parts (screws, washers) as well as further hardware that is required for service work at the scales and terminals.

Piece	Designation	Order No.
1	<b>Hardware set</b>	22 013 967
50	Hex bolt M4x12, integrated seal	-
50	Oval head screw M3x5 Torx	-
20	Cheese head screw M4x8 Torx	-
20	Serrated lock washer A4.3	-
10	Hexagonal lock nut M18x0.75	-
10	Hexagonal lock nut M16x1.5	-
10	Hexagonal lock nut M12x1.5	-
10	Screw type locking	-
20	Ribbon cable retainer	-
10	Cheese head screw M4x12 Torx A2, low	-
10	Threading seal GM1000 M4-4N15	-
10	O-ring 4x1.2 NBR	-