

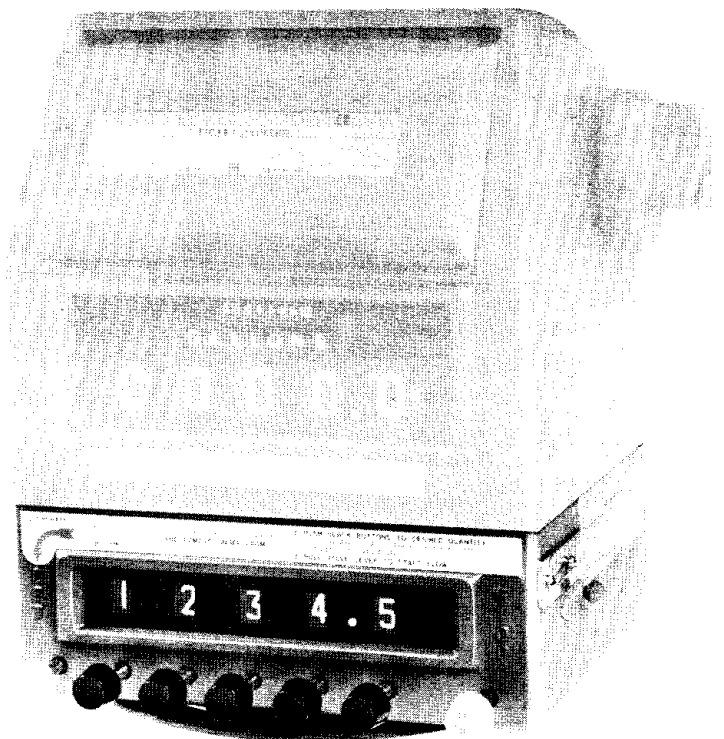
# Parts List

# METER PRESET

Technical  
8-020  
Issued: 5/93  
Supersedes: 11/92

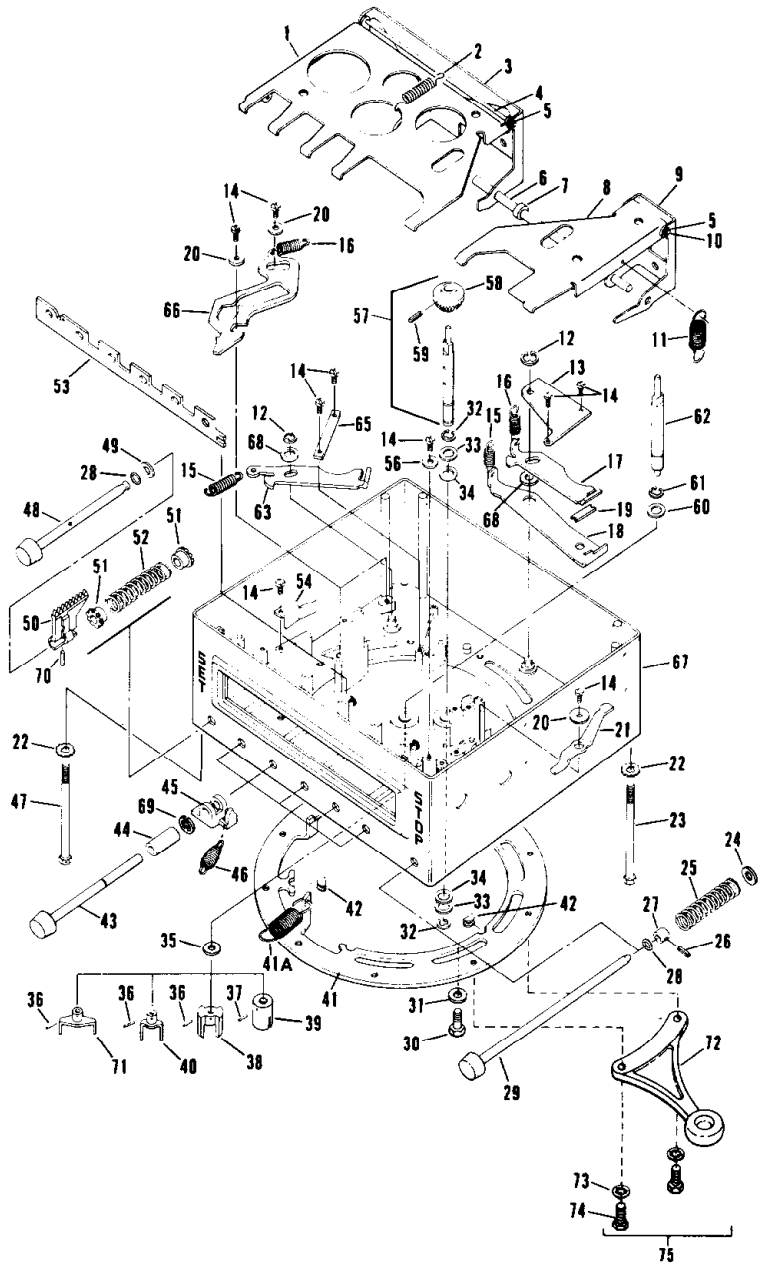
251289

## SERIES 7889

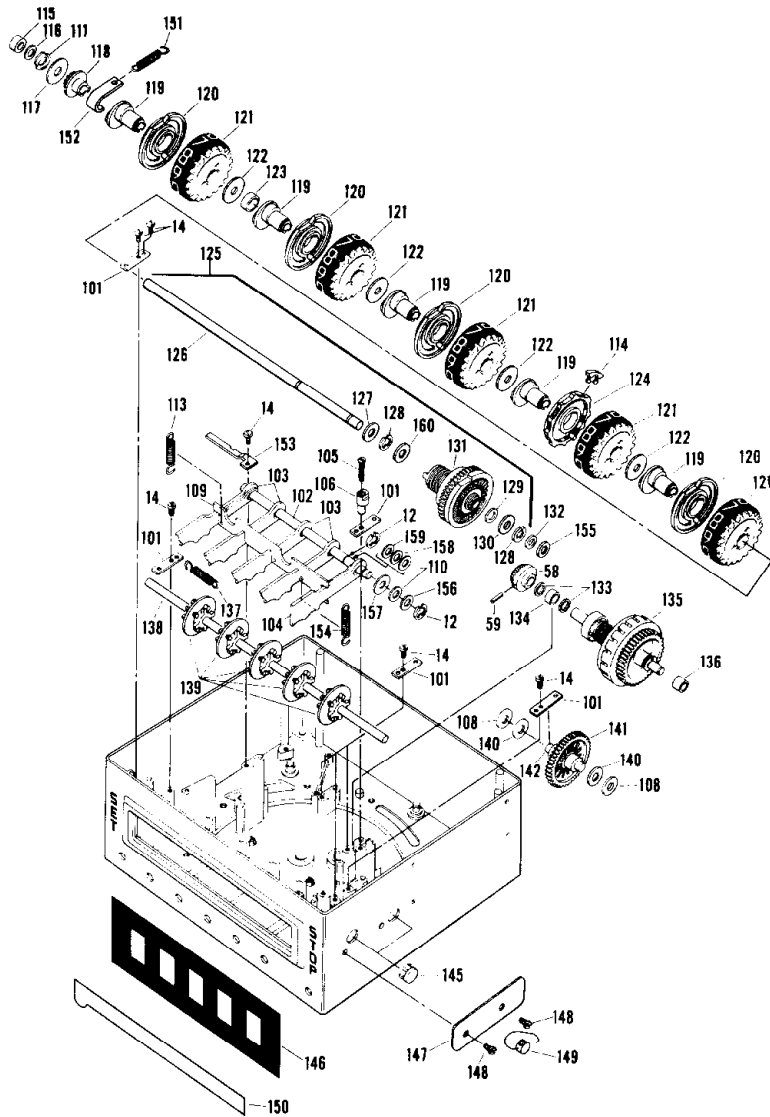


**VEEDER-ROOT**   
Petroleum Products

ITEM NO.	PART NO.	PART NAME	QUANTITY PER UNIT
1	324778-001	Rake, 1st Stage	1
2	310300-341	Spring, Extension (2.2" at rest)	1
3	324777-001	Lever, 1st Stage	1
4	324780-001	Shaft, 1st Stage Lever	1
5	511811-001	Ring, Retaining	4
6	324789-001	Shaft, Lever	1
7	884008-433	Spacer	1
8	324779-001	Rake, 2nd Stage	1
9	324776-001	Lever, 2nd Stage & Emergency	1
10	324781-001	Shaft, 2nd Stage Lever	1
11	310300-334	Spring, Extension	1
12	511810-001	Ring, Retaining	4
13	324874-001	Plate, Retainer	1
14	510500-365	Screw, #6-32 x 0.313 Inch-Pan Hd.	26
15	310300-330	Spring, Extension	2
16	310300-336	Spring, Extension	2
17	324763-001	Pawl, Final Knockoff	1
18	324764-001	Lever, Emergency Interlock	1
19	325310-001	Shim, 0.020 Inch	1
20	885005-844	Washer	3
21	324711-001	Lever, Clutch	1
22	510003-006	Lockwasher	4
23	503300-112	Bolt, Rear	2
24	11071-EY-293	Washer, 0.014-0.016 Inch	1
25	310325-311	Spring, Compression	1
26	510111-001	Pin, Groove	1
27	14571-AN-082	Collar	1
28	512700-172	Seal, "O" Ring	2
29	324819-002	Rod Group, Emergency (Red)	1
30	503661-005	Screw, Hex Head	2
31	11071-BQ-112	Washer, 0.060-0.064 Inch	2
32	511819-001	Ring, Retaining	2
33	11071-OH-835	Washer, 0.009-0.011 Inch	2
34	11071-QS-943	Washer, 0.004-0.006 Inch	As Req.
	11071-BW-126	Washer, 0.006-0.008 Inch	As Req.
	11071-OH-835	Washer, 0.009-0.011 Inch	As Req.
	11071-OJ-839	Washer, 0.029-0.033 Inch	As Req.
	11071-QN-933	Washer, 0.009-0.011 Inch	1
35	510107-002	Pin, 1/16 x 7/16 Inch	1
37	510105-177	Pin, 1/16 x 3/4 Inch	1
38	33775-A-005	Coupling - Brass Half	1
39	65004-005	Coupling, Slotted	1
	65004-010	Coupling, Special Slotted	1
40	68845-1-005	Coupling, Forked	1
41	324762-001	Plate, Knockoff	1
41A	310300-374	Spring, Extension	1
42	325159-001	Insert, Plate	4
43	324820-002	Rod Group, Preset (Black)	5
44	874201-127	Collar	5
45	324623-001	Pawl, Preset	5
46	310300-335	Spring, Extension	5
47	503300-110	Bolt, Front (w/Hole Thru Head)	2
48	324821-002	Rod Group, Beige Authorization	1
49	11071-EY-293	Washer, 0.014-0.016 Inch	1
50	324606-001	Rack	1
51	884008-649	Bushing, Spiral	2
52	310325-310	Spring, Compression	1
53	324716-001	Bar, Shift	1
54	324892-001	Plate, Wear	1
55	Deleted		
56	11071-EV-287	Washer	1
57	324822-001	Shaft Group, Vertical Drive	1
58	324181-001	Gear	2
59	512208-001	Pin	2
60	11071-NL-785	Washer, 0.004-0.006 Inch	As Req.
61	511816-001	Ring, Retaining	1
62	324784-001	Shaft, Vertical Drive	1
	324784-002	Shaft, Vertical Drive (Square End)	1
63	324763-002	Pawl, Knockoff (1st Stage)	1
64	Deleted		
65	324768-001	Strap	1
66	324761-001	Pawl, Interlock	1
67	324794-001	Case Group	1
68	11071-FN-325	Washer, 0.009-0.011 Inch	As Req.
	11071-EY-293	Washer, 0.014-0.016 Inch	As Req.
	11071-CU-183	Washer, 0.016-0.022 Inch	As Req.
69	511805-328	Ring, Retaining	5
70	510111-001	Pin, Spirol	1
71	G323372-001	Coupling, Forked	1
72	325214-001	Handle, Preset Ring	1
73	510013-001	Lockwasher	2
74	503610-001	Screw, HK Cap	2
75	312020-513	Kit, Handle (Includes 72, 73, 74)	1



**Meter Preset  
Series 7889  
(Sheet 1)**



ITEM NO.	PART NO.	PART NAME	QUANTITY PER UNIT
101	324712-001	Strap	12
102	324709-001	Shaft, Detent Pawl	1
103	324702-001	Pawl, Detent	4
104	324703-001	Pawl, Detent	1
105	501715-030	Screw, Fil. Head (No. 6)	1
106	324935-002	Eccentric, Adjusting	1
107	Deleted		
108	11071-CC-146	Washer, 0.008-0.013 Inch	As Req.
	11071-DF-206	Washer, 0.004-0.007 Inch	As Req.
109	324719-001	Connector	1
110	11071-CC-146	Washer, 0.008-0.013 Inch	As Req.
111	885005-530	Washer, Finger Spring	1
112	Deleted		
113	19724-E-025	Spring, Extension	1
114	324580-001	Insert, Disc.	9
115	74200-096-456	Spacer	1
116	11071-NU-803	Washer, 0.004-0.006 Inch	As Req.
	11071-FN-325	Washer, 0.009-0.011 Inch	As Req.
	11071-CU-183	Washer, 0.018-0.022 Inch	As Req.
117	11017-EJ-263	Washer, 0.030-0.034 Inch	1
118	324607-001	Pinion	1
119	324581-001	Eccentric	5
120	324584-001	Disc, Knockoff	4
121	324697-001	Wheel, Character	5
122	885005-903	Washer, 0.028-0.032 Inch	4
123	324891-001	Ring, Eccentric	1
124	324585-001	Disc, Variable Knockoff	1
125	324792-001	Shaft Group, Wheel	1
126	324713-001	Shaft, Wheel	1
127	11071-DG-208	Washer, 0.009-0.012 Inch	1
128	511842-001	Ring, Retaining	2
129	11071-IK-487	Washer, 0.018-0.022 Inch	As Req.
130	885005-580	Washer	As Req.
131	324791-001	Gear Group Drive	1
132	11071-LR-671	Washer, 0.030-0.034 Inch	1
133	11071-IT-505	Washer, 0.004-0.006 Inch	As Req.
	74800-007-023	Washer, 0.009-0.011 Inch	As Req.
	11071-DA-195	Washer, 0.019-0.021 Inch	As Req.
134	14614-RI-712	Bushing	1
135	324793-001	Clutch Group	1
136	14614-SP-777	Bushing	1
137	14427-LV-576	Spring, Extension	1
138	324710-001	Shaft, Pinion	1
139	324583-001	Pinion, Transfer	5
140	11071-DF-206	Washer, 0.004-0.007 Inch	2
141	324706-001	Gear, Idler	1
142	324707-001	Shaft, Idler	1
145	324090-001	Plug, Hole	1 or 2
146	324824-001	Crystal, 5 Windows	1
	324824-002	Crystal, 4 Windows	
	324824-003	Crystal, 5 Windows w/decimal	
	324824-004	Crystal, 4 Windows w/decimal	
147	325842-001	Seal, Cover (See Note)	1
148	501700-129	Screw (See Note)	2
149	513600-1-005	Seal and Wire (See Note)	1
150	326071-001	Label, Instructional	1
151	326185-001	Spring, Extension	1
152	326184-001	Band	1
153	326183-001	Arm, Spring Action	1
154	310300-330	Spring, Reset	1
155	11071-FN-325	Washer, 0.009-0.011 Inch	1
156	11071-DF-206	Washer, 0.004-0.007 Inch	As Req.
157	11017-EJ-263	Washer, 0.030-0.034 Inch	1
158	11071-LR-671	Washer, 0.030-0.034 Inch	1
159	11071-BQ-112	Washer, 0.060-0.064 Inch	1
160	11071-IK-487	Washer, 0.018-0.022 Inch	1
161	510500-359	Screw (At Pinion Shaft)	1

**Meter Preset**  
**Series 7889**  
 (Sheet 2)

Note: Items 147, 148 and 149 are used in place of Item 145 on later units.

For ordering instructions and terms  
and conditions of sale, refer to a  
current Veeder-Root price list.

**VEEDER-ROOT**   
Petroleum Products

---

6th AVENUE AT BURNS CROSSING, ALTOONA, PA 16603-1673 U.S.A. TEL: (814) 695-4476, FAX: (814) 695-7605

BRAZIL: Sao Paulo • CANADA: Mississauga, Ontario • FRANCE: Rungis Cedex • GERMANY: Neuhausen/Filder